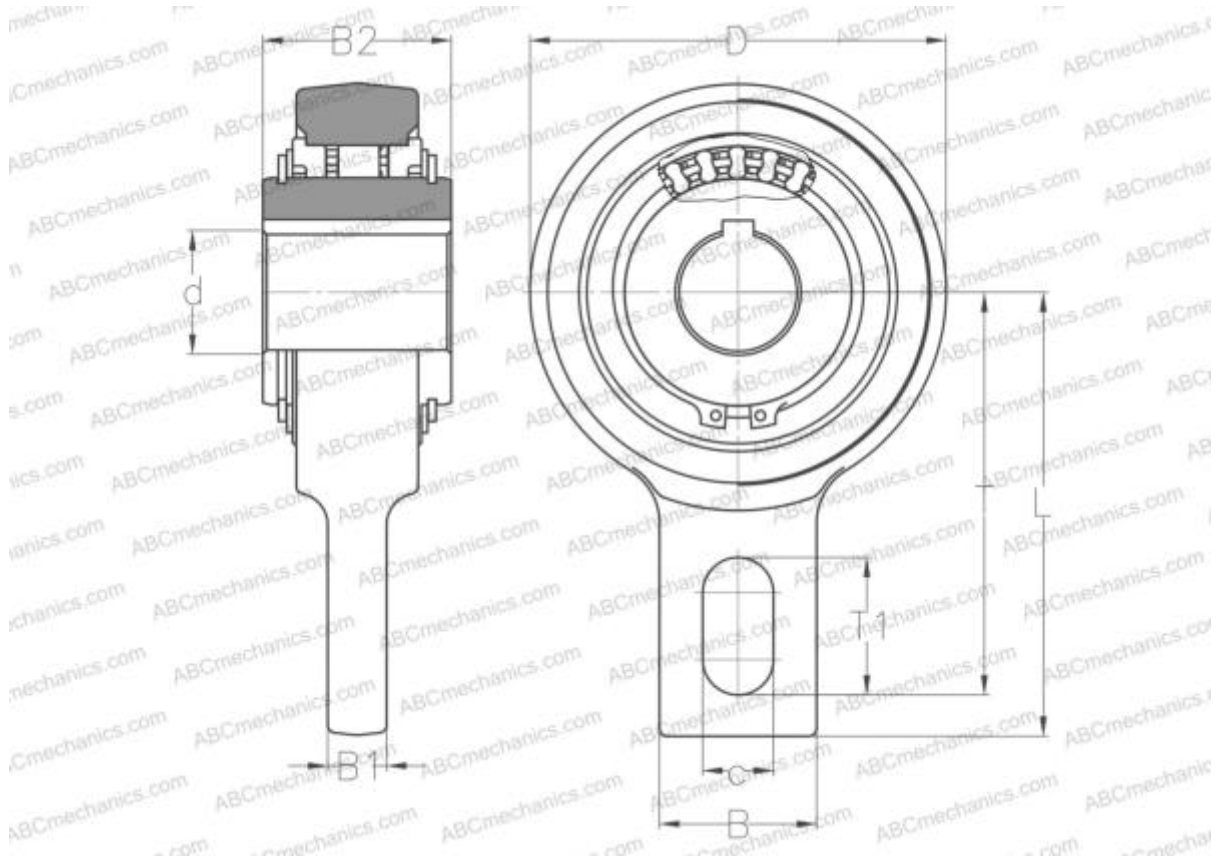


RSBF25 CROSS+MORSE

Freewheel

TYPE: Freewheel, Self-contained freewheels, DC type, centered by plain bearings for low rotational speeds and sealed using shield protected O Rings



Technical specification

DIMENSIONS, MM

d	25,000
D	106,000
B	40,000
B1	15,000
B2	48,000
L	113,000
c	18,000
T	102,500
T1	35,000

INTERCHANGE

TSUBAKI	RSBW25
GMN	BSEU40-25
RENOLD	CRBV25

MANUFACTURER [CROSS+MORSE](#)

INTERCHANGE

ABC	RSBW 25
STIEBER	RSBW 25
C.T.S.	GVG25