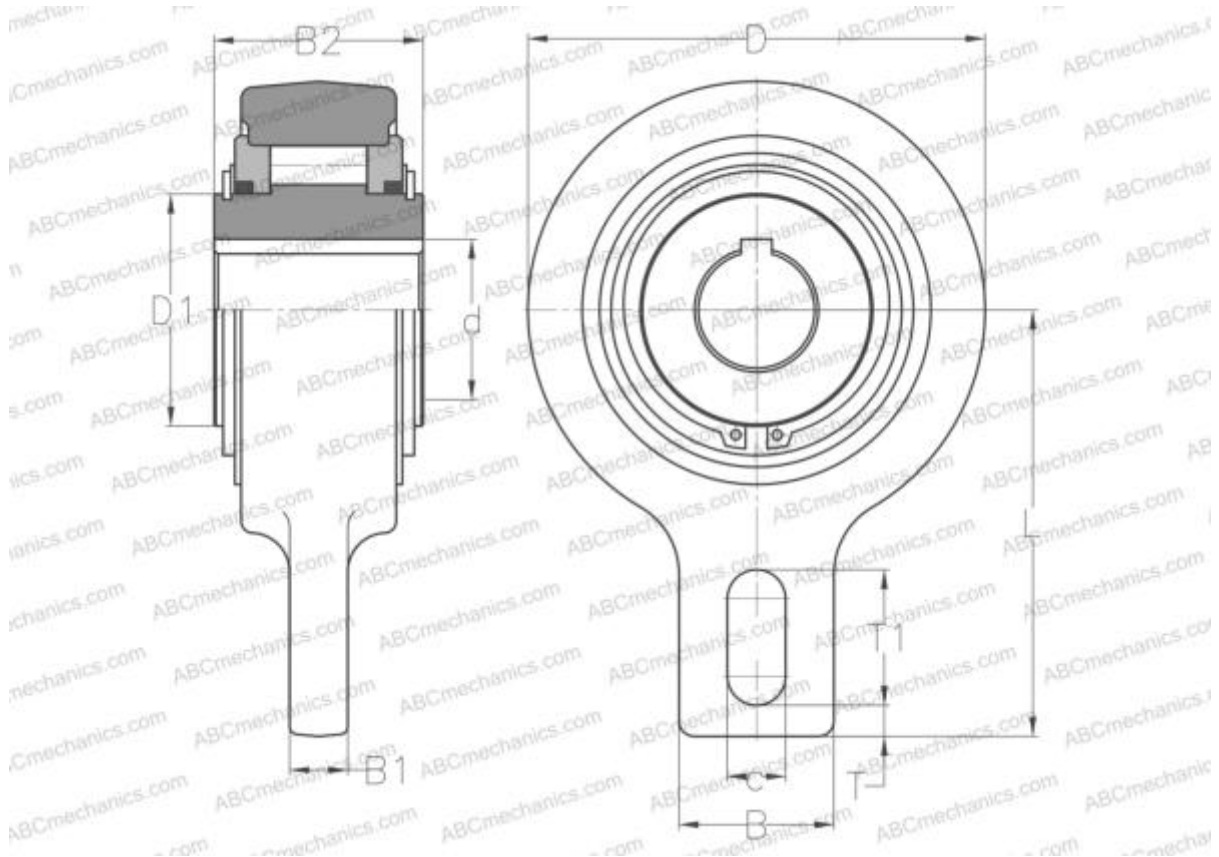


AV 20 STIEBER

Freewheel

TYPE: Freewheel, Self-contained freewheels, Centered by plain bearings for low rotational speeds, metallic labyrinth seals



Technical specification

DIMENSIONS, MM

d	20,000
D	83,000
D1	42,000
B	40,000
B1	12,000
B2	35,000
L	90,000
c	15,000
T	5,000
T1	35,000

MANUFACTURER

[STIEBER](#)

INTERCHANGE

ABC	AV 20
C.T.S.	GV20

INTERCHANGE

TSUBAKI	BSEU40-20
GMN	VGV20
RINGSPANN	FAV20
RENOLD	REGV20
CROSS+MORSE	CRBW20
VP-TECHNIK	GV 20
BASS	RSBF 20