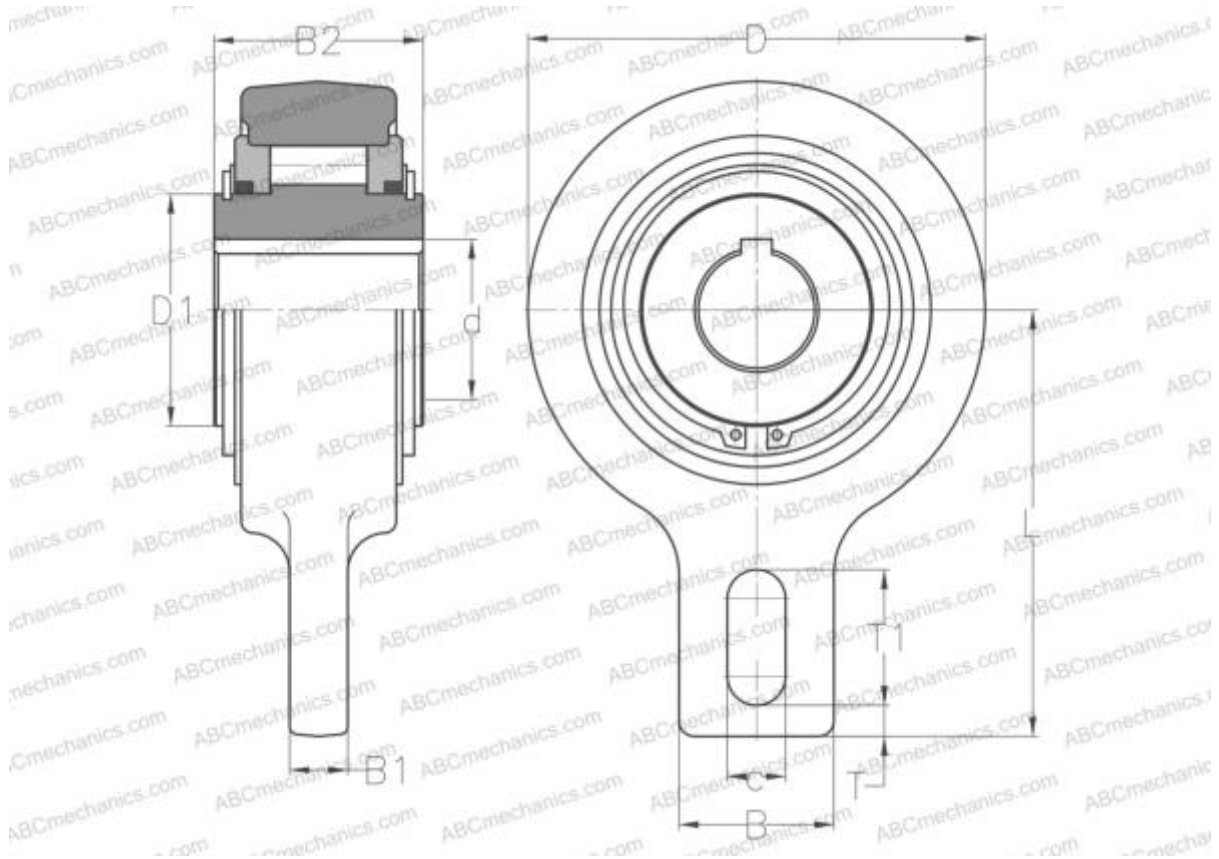


## BSEU40-20 TSUBAKI

Freewheel

TYPE: Freewheel, Self-contained freewheels, Centered by plain bearings for low rotational speeds, metallic labyrinth seals



### Technical specification

#### DIMENSIONS, MM

d	20,000
D	83,000
D1	42,000
B	40,000
B1	12,000
B2	35,000
L	90,000
c	15,000
T	5,000
T1	35,000

**MANUFACTURER** [TSUBAKI](#)

#### INTERCHANGE

ABC	<a href="#">AV 20</a>
STIEBER	<a href="#">AV 20</a>

#### INTERCHANGE

C.T.S.	<a href="#">GV20</a>
GMN	<a href="#">VGV20</a>
RINGSPANN	<a href="#">FAV20</a>
RENOLD	<a href="#">REGV20</a>
CROSS+MORSE	<a href="#">CRBW20</a>
VP-TECHNIK	<a href="#">GV 20</a>
BASS	<a href="#">RSBF 20</a>