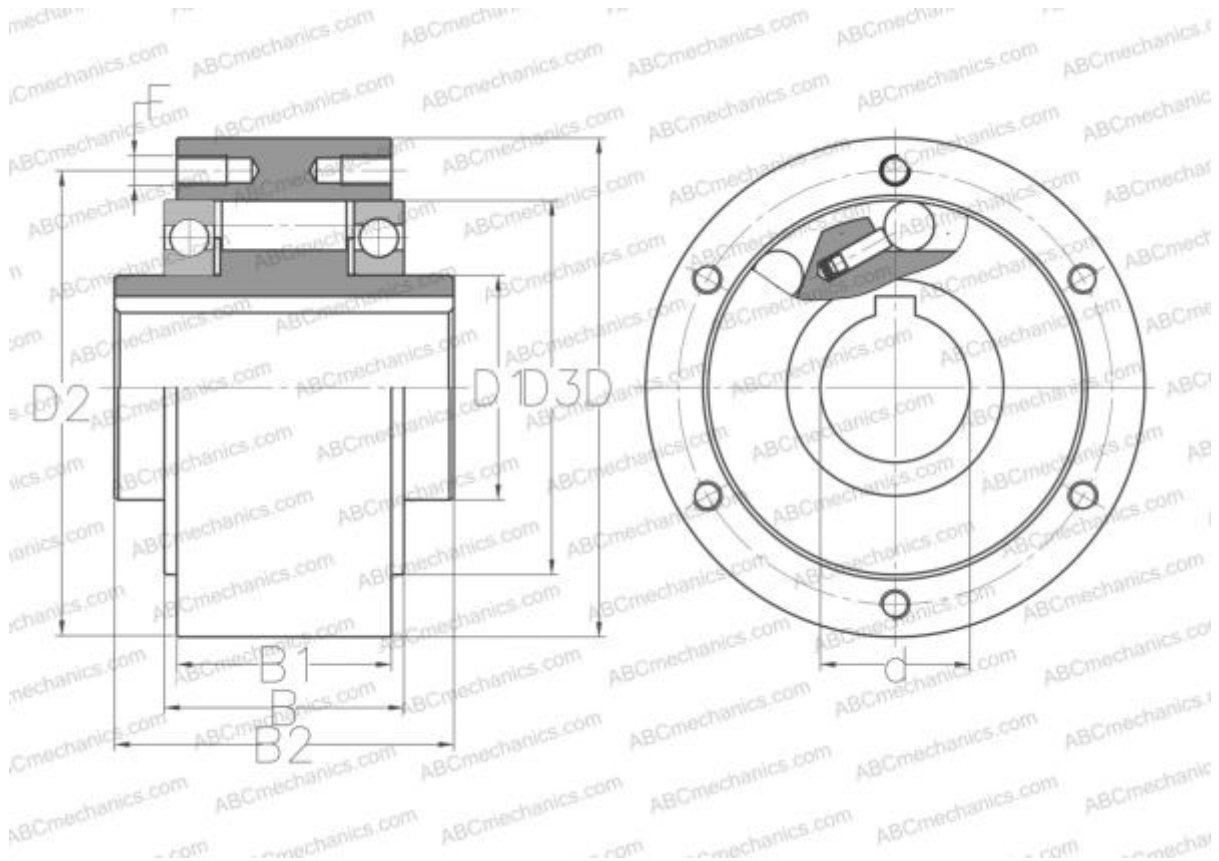


## GFR 12 ABC

Freewheel

TYPE: Freewheel, Self-contained freewheels, Roller type freewheels, using two 160.. series bearings, require oil lubrication



### Technical specification

#### DIMENSIONS, MM

d	12,000
D	62,000
D1	20,000
D2	51,000
D3	42,000
B	27,000
B1	20,000
B2	42,000
F	5.5

**MANUFACTURER** [ABC](#)

#### INTERCHANGE

STIEBER	<a href="#">GFR 12</a>
C.T.S.	<a href="#">GL12</a>
TSUBAKI	<a href="#">MZEU12K</a>

#### INTERCHANGE

GMN	<a href="#">VGL12</a>
RINGSPANN	<a href="#">FGR12</a>
RENOLD	<a href="#">REGL12</a>
CROSS+MORSE	<a href="#">AGF12</a>
TRAME	<a href="#">TGSR 12</a>
BASS	<a href="#">GFRS 12</a>
STIEBER	GFR12