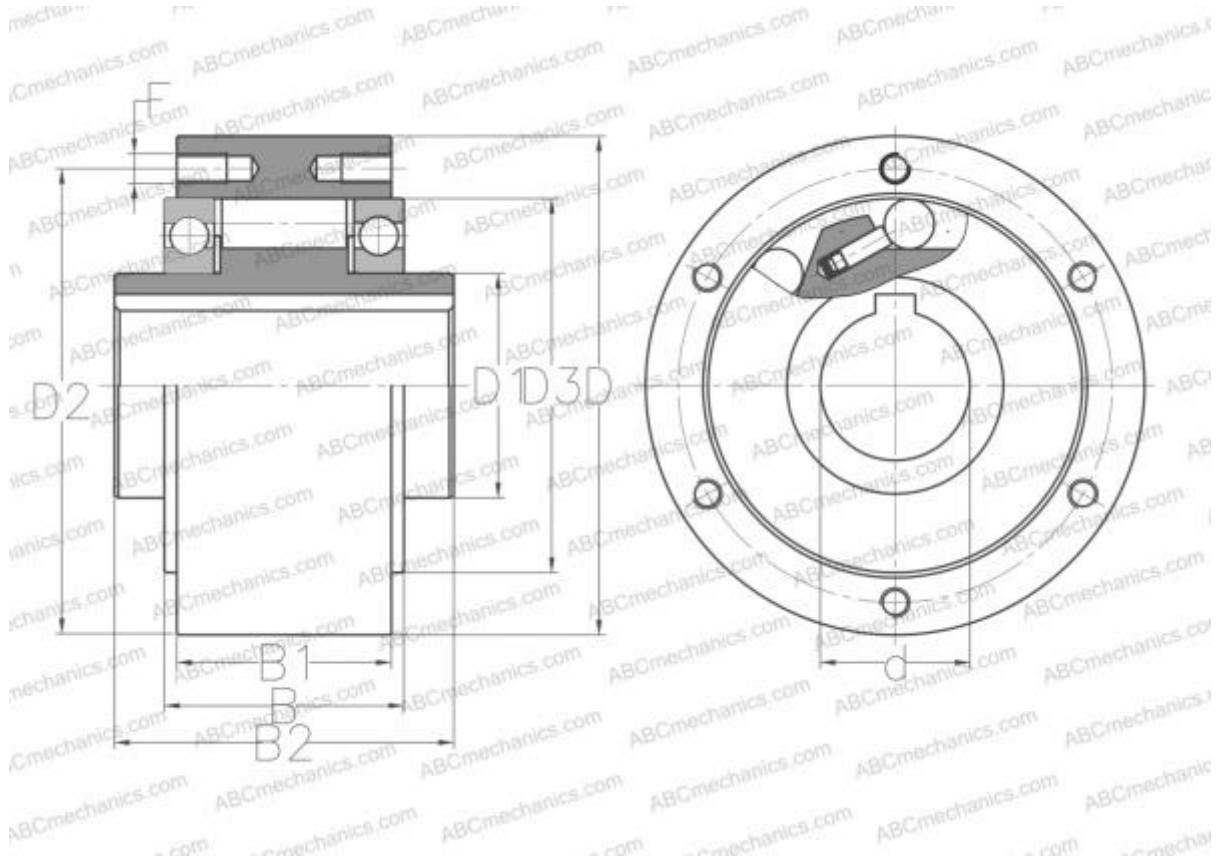


AGF12 CROSS+MORSE

Freewheel

TYPE: Freewheel, Self-contained freewheels, Roller type freewheels, using two 160.. series bearings, require oil lubrication



Technical specification

DIMENSIONS, MM

d	12,000
D	62,000
D1	20,000
D2	51,000
D3	42,000
B	27,000
B1	20,000
B2	42,000
F	5.5

MANUFACTURER

[CROSS+MORSE](#)

INTERCHANGE

TSUBAKI	MZEU12K
GMN	VGL12
RINGSPANN	FGR12
RENOLD	REGL12
TRAME	TGSR 12
BASS	GFRS 12

INTERCHANGE

ABC	GFR 12
STIEBER	GFR 12
C.T.S.	GL12