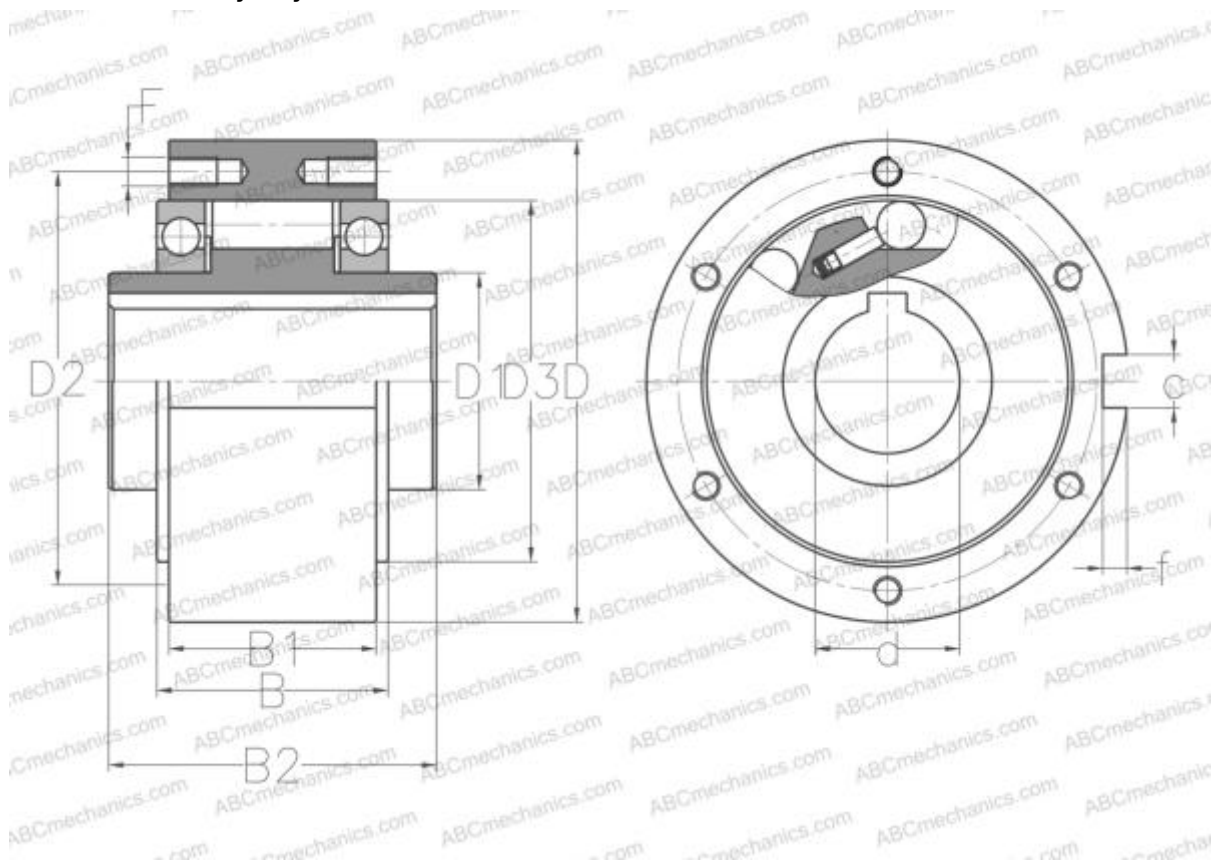


GFRN 12 STIEBER

Freewheel

TYPE: Freewheel, Self-contained freewheels, Roller type freewheels, using two 160.. series bearings, require oil lubrication, keyway on the outside diameter



Technical specification

DIMENSIONS, MM

d	12,000
D	62,000
D1	20,000
D2	51,000
D3	42,000
B	27,000
B1	20,000
B2	42,000
f	2,500
c	4,000
F	5.5

MANUFACTURER [STIEBER](#)

INTERCHANGE

ABC [GFRN 12](#)