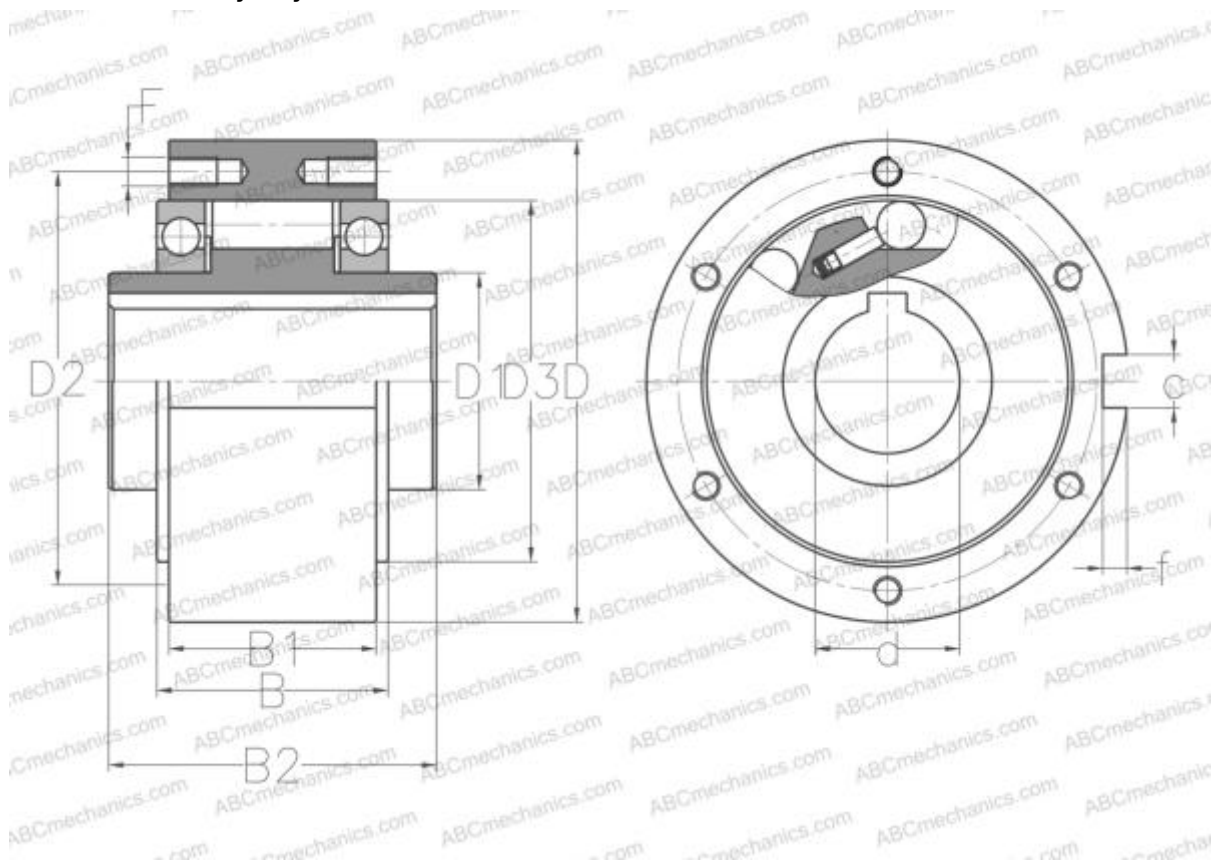


GFRN 15 STIEBER

Freewheel

TYPE: Freewheel, Self-contained freewheels, Roller type freewheels, using two 160.. series bearings, require oil lubrication, keyway on the outside diameter



Technical specification

DIMENSIONS, MM

d	15,000
D	68,000
D1	25,000
D2	56,000
D3	47,000
B	32,000
B1	28,000
B2	52,000
f	3,000
c	5,000
F	M5

MANUFACTURER [STIEBER](#)

INTERCHANGE

ABC [GFRN 15](#)