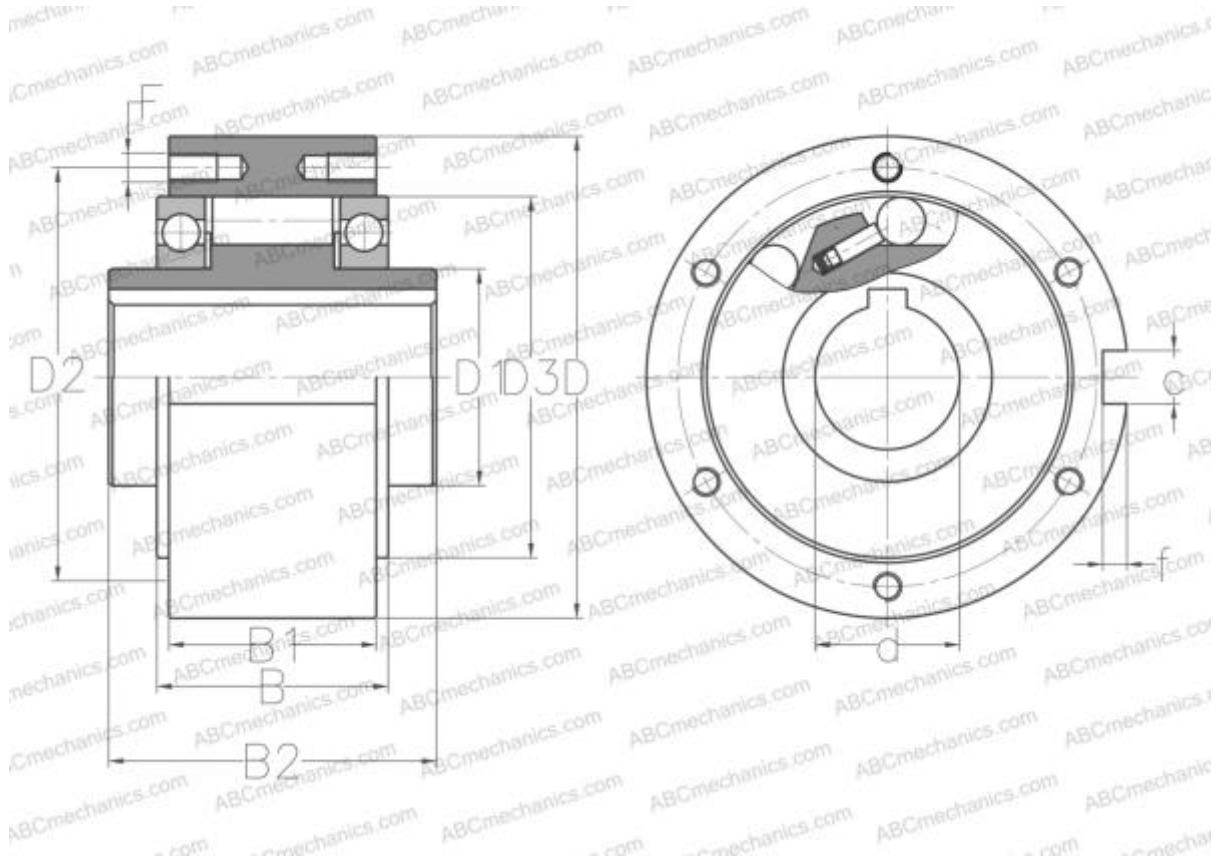


## GFRN 30 STIEBER

Freewheel

TYPE: Freewheel, Self-contained freewheels, Roller type freewheels, using two 160.. series bearings, require oil lubrication, keyway on the outside diameter



### Technical specification

#### DIMENSIONS, MM

d	30,000
D	100,000
D1	45,000
D2	87,000
D3	75,000
B	48,000
B1	43,000
B2	68,000
f	4,000
c	8,000
F	M6

**MANUFACTURER** [STIEBER](#)

#### INTERCHANGE

ABC [GFRN 30](#)