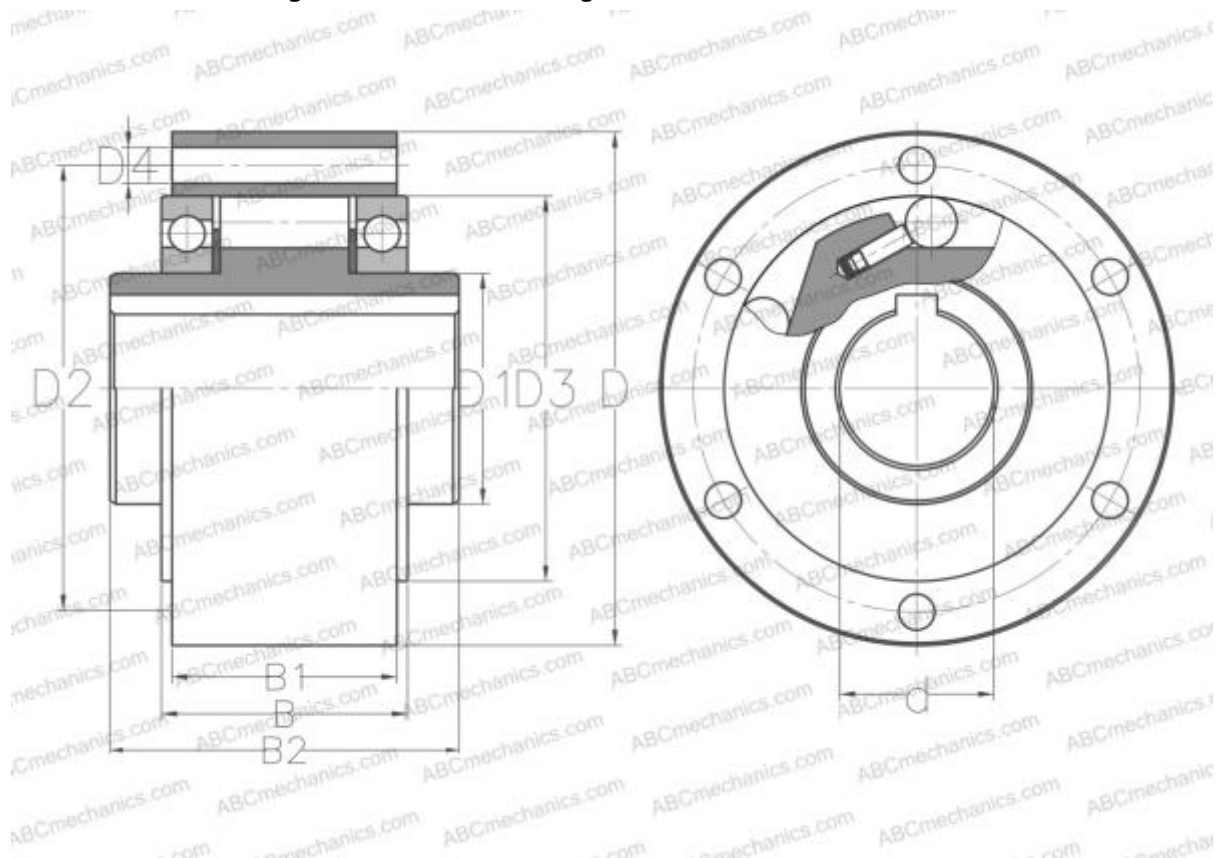


AL 30 STIEBER

Freewheel

TYPE: Freewheel, Self-contained freewheels, Roller type freewheels, using two 160.. series bearings, require oil lubrication, through holes for mounting



Technical specification

DIMENSIONS, MM

d	30,000
D	100,000
D1	45,000
D2	87,000
D3	75,000
D4	6,600
B	49,100
B1	44,300
B2	68,000

MANUFACTURER [STIEBER](#)

INTERCHANGE

ABC [AL 30](#)