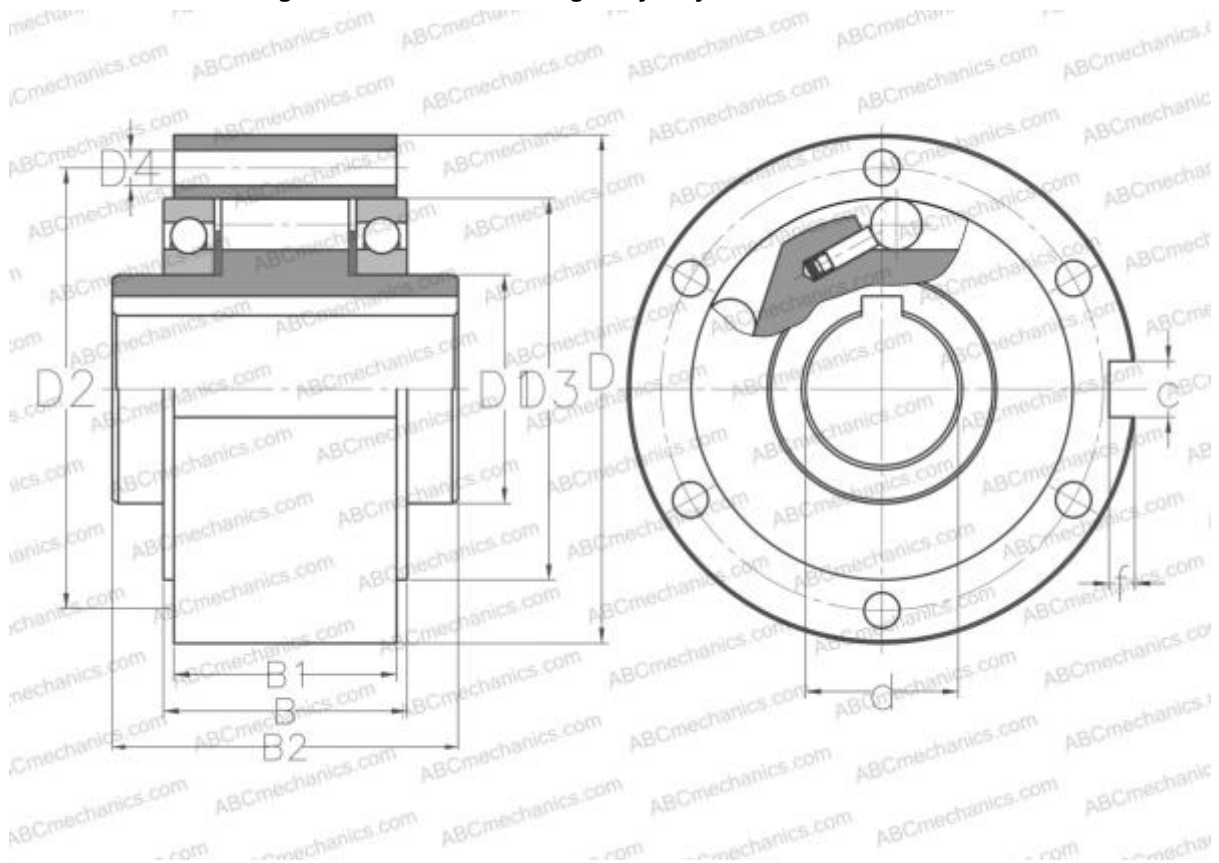


## ALP 30 STIEBER

Freewheel

TYPE: Freewheel, Self-contained freewheels, Roller type freewheels, using two 160.. series bearings, require oil lubrication, through holes for mounting, keyway on the outside diameter



### Technical specification

#### DIMENSIONS, MM

d	30,000
D	100,000
D1	45,000
D2	87,000
D3	75,000
D4	6,600
B	49,100
B1	44,300
B2	68,000
f	4,100
c	8,000

**MANUFACTURER** [STIEBER](#)

#### INTERCHANGE

ABC [ALP 30](#)