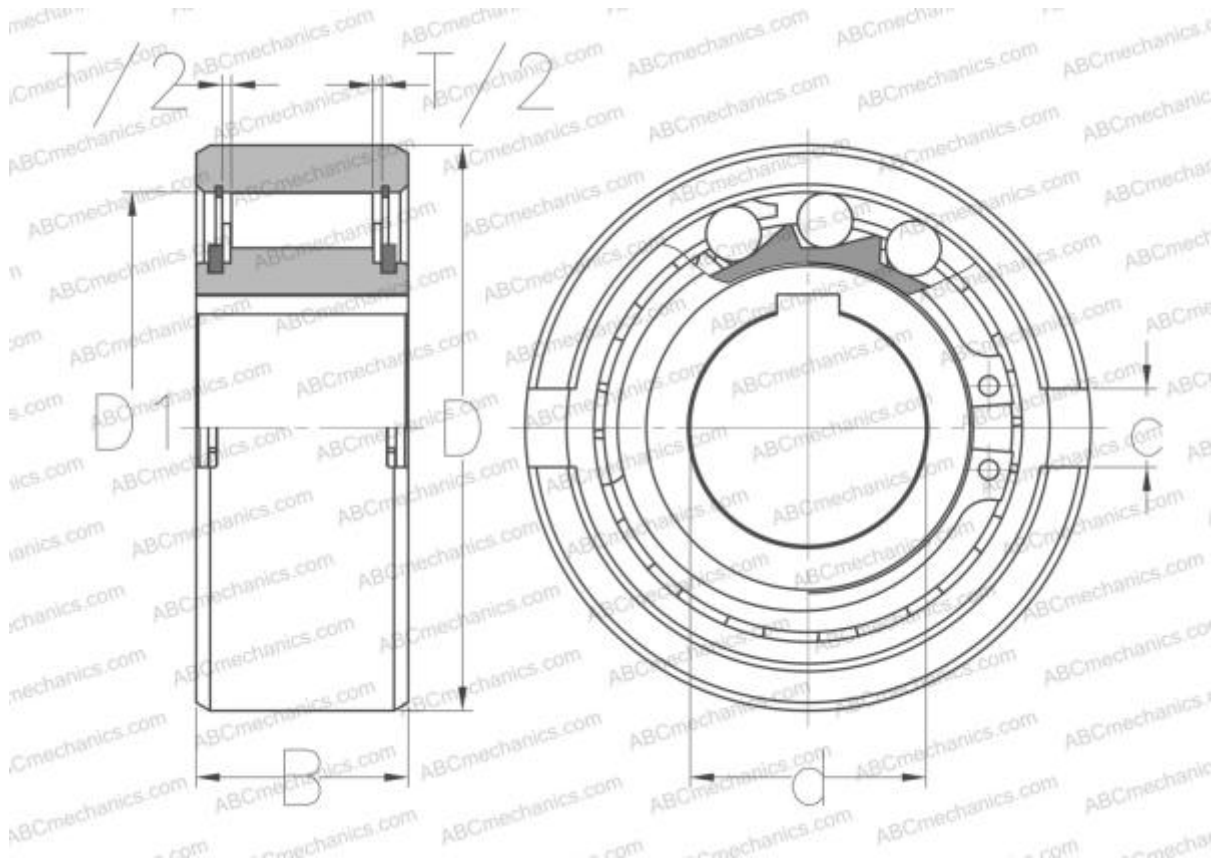


## ASNU 8 ABC

Freewheel

TYPE: Freewheel, Built-in freewheels, Nominal outside dimensions are the same as series 63.. ball bearings



### Technical specification

#### DIMENSIONS, MM

d	8,000
D	35,000
D1	28,000
B	13,000
c	4,000
T	2,400

**MANUFACTURER** [ABC](#)

#### INTERCHANGE

STIEBER	<a href="#">ASNU 8</a>
TSUBAKI	<a href="#">TFS8</a>
GMN	<a href="#">VSNU8</a>
VP-TECHNIK	<a href="#">USNU 8</a>
RINGSPANN	<a href="#">FSN8</a>
RENOLD	<a href="#">REUSNU8</a>

#### INTERCHANGE

CROSS+MORSE	<a href="#">CNFS8</a>
C.T.S.	<a href="#">USNU8</a>
TRAME	<a href="#">TKFS 8</a>
BASS	<a href="#">BFS 8</a>