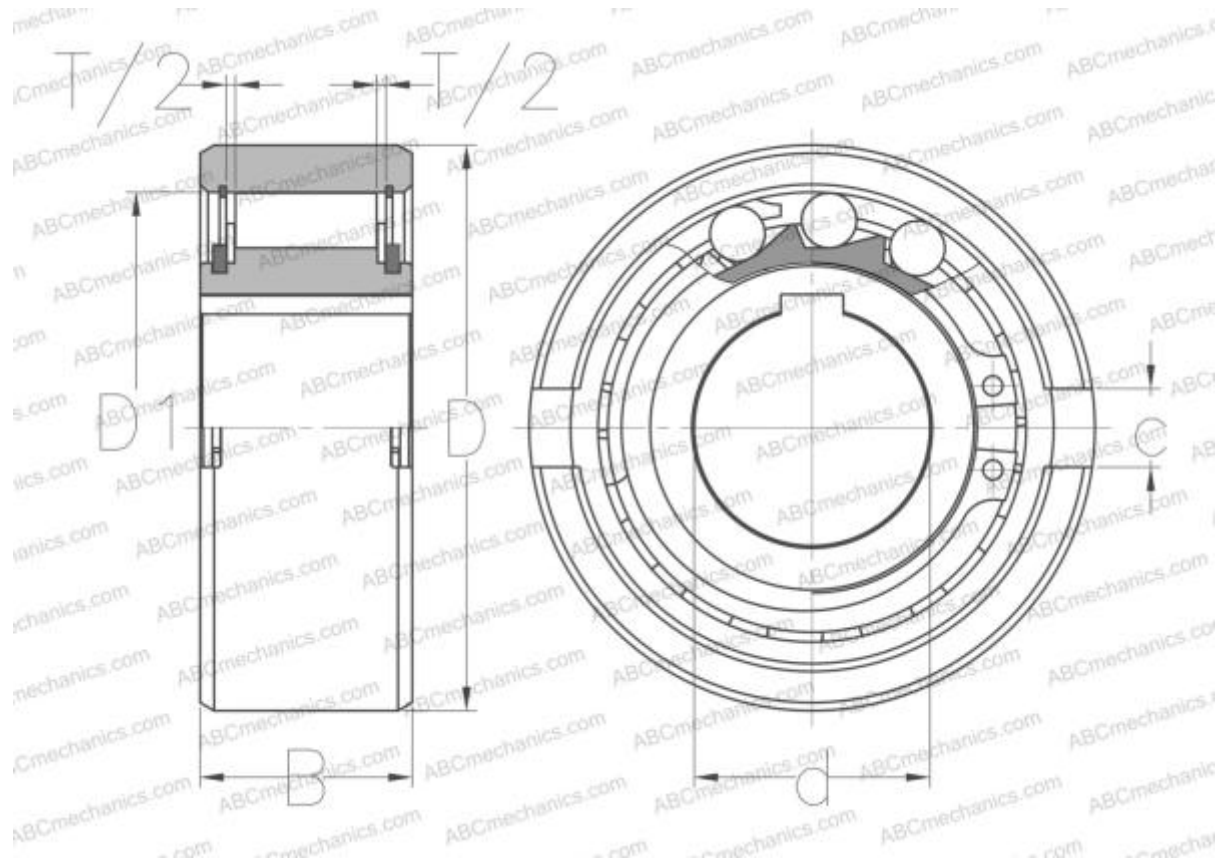


TFS8 TSUBAKI

Freewheel

TYPE: Freewheel, Built-in freewheels, Nominal outside dimensions are the same as series 63.. ball bearings



Technical specification

DIMENSIONS, MM

d	8,000
D	35,000
D1	28,000
B	13,000
c	4,000
T	2,400

MANUFACTURER [TSUBAKI](#)

INTERCHANGE

ABC	ASNU 8
STIEBER	ASNU 8
GMN	VSNU8
VP-TECHNIK	USNU 8
RINGSPANN	FSN8
RENOLD	REUSNU8

INTERCHANGE

CROSS+MORSE	CNFS8
C.T.S.	USNU8
TRAME	TKFS 8
BASS	BFS 8