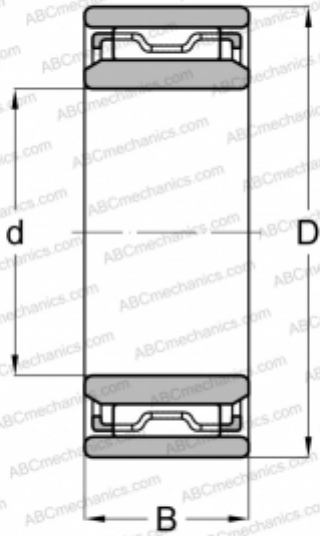


## NAO 6x17x10 FAG

Needle roller bearings

TYPE: Roller bearings, Needle, Single row, With machined rings without flanges, with an inner ring, Metric



### Technical specification

#### DIMENSIONS, MM

d	6,000
D	17,000
B	10,000

#### MANUFACTURER

[FAG](#)

#### INTERCHANGE

ABC	<a href="#">NAO 6x17x10</a>
IKO	<a href="#">NAF 61710</a>
INA	<a href="#">NAO6X17X10-TV-IS1</a>
SKF	<a href="#">NAO 6x17x10 TN</a>
JNS	<a href="#">NAF61710</a>
NTN	<a href="#">NAO-6X17X10T2</a>
TORRINGTON	<a href="#">NAO6X17X10</a>

#### REPLACES

NAF 6x17x10