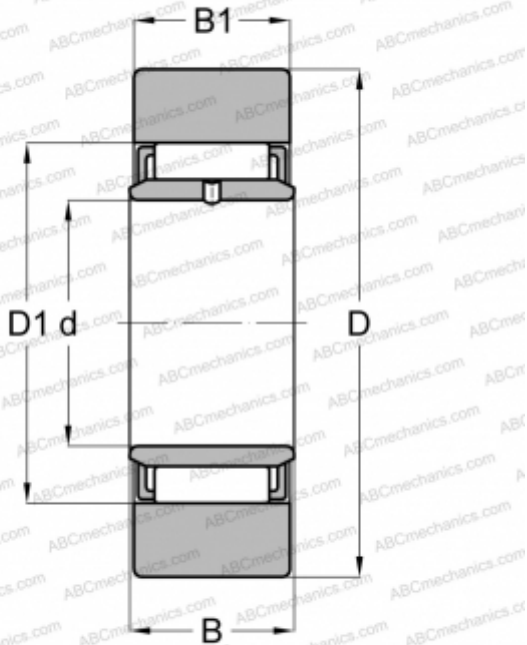


NAST8 JNS

Yoke type track roller

TYPE: Roller bearings, Yoke type track rollers, Without axial guidance, With an inner ring, Outer ring without ribs, cylindrical outer ring



Technical specification

DIMENSIONS, MM

d	8,000
D	24,000
D1	15,000
B	10,000
B1	9,800

MANUFACTURER

[JNS](#)

INTERCHANGE

ABC	STO 8 X
INA	STO8-X-TV
FAG	STO 8 DZ
SKF	STO 8 TN X
TORRINGTON	STO 8 DZ
IKO	NAST 8
KOYO	STO8DZ
NTN	NAB2/8X