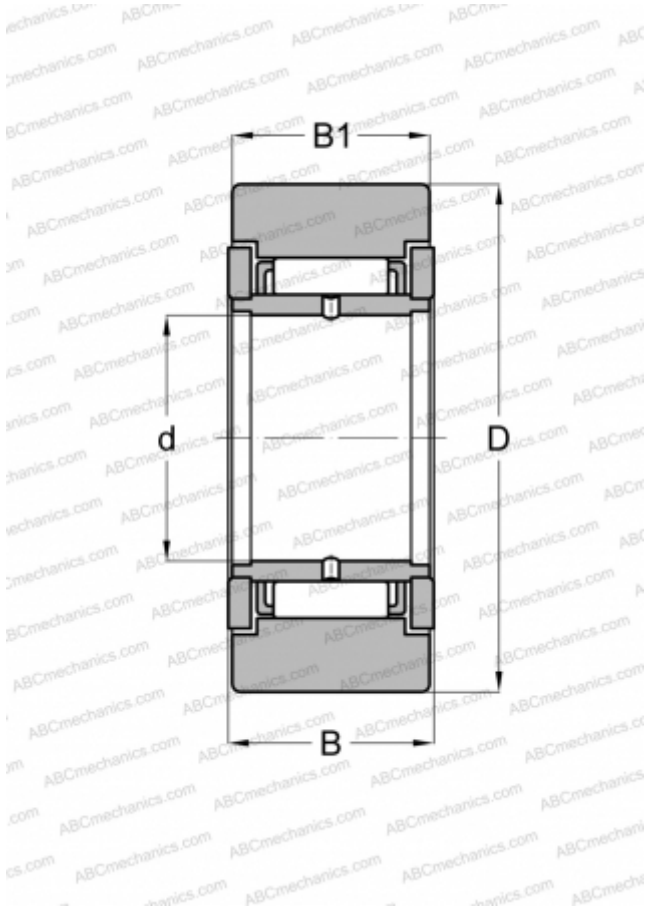


## STO 8 2Z DZ FAG

Yoke type track roller

TYPE: Roller bearings, Yoke type track rollers, Without axial guidance, With an inner ring, Outer ring without ribs, shields 2Z, cylindrical outer ring



### Technical specification

#### DIMENSIONS, MM

d	8,000
D	24,000
B	14,000
B1	13,800

#### MANUFACTURER

[FAG](#)

#### INTERCHANGE

ABC	<a href="#">STO 8 ZZX</a>
SKF	<a href="#">NAST 8 P 2Z</a>
TORRINGTON	<a href="#">STO 8 ZZ DZ</a>
IKO	<a href="#">NAST 8 ZZ</a>
JNS	<a href="#">NAST 8 ZZ</a>

#### REPLACES

NAST 8 2Z DZ