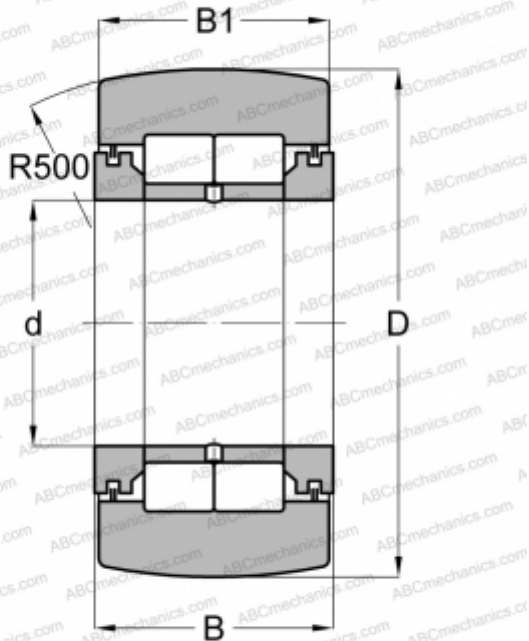


NUTR 15 FAG

Yoke type track roller

TYPE: Roller bearings, Yoke type track rollers, With axial guidance, Full complement cylindrical roller set, labyrinth seals on both sides



Technical specification

DIMENSIONS, MM

d	15,000
D	35,000
B	19,000
B1	18,000

MANUFACTURER

[FAG](#)

INTERCHANGE

ABC	NUTR 15
INA	NUTR15
SKF	NUTR 15 A
IKO	NURT 15 R
McGill	MCYRD-15
KOYO	NUTR15
JNS	NURT15R
NTN	NUTR202

REPLACES

NUTD 15