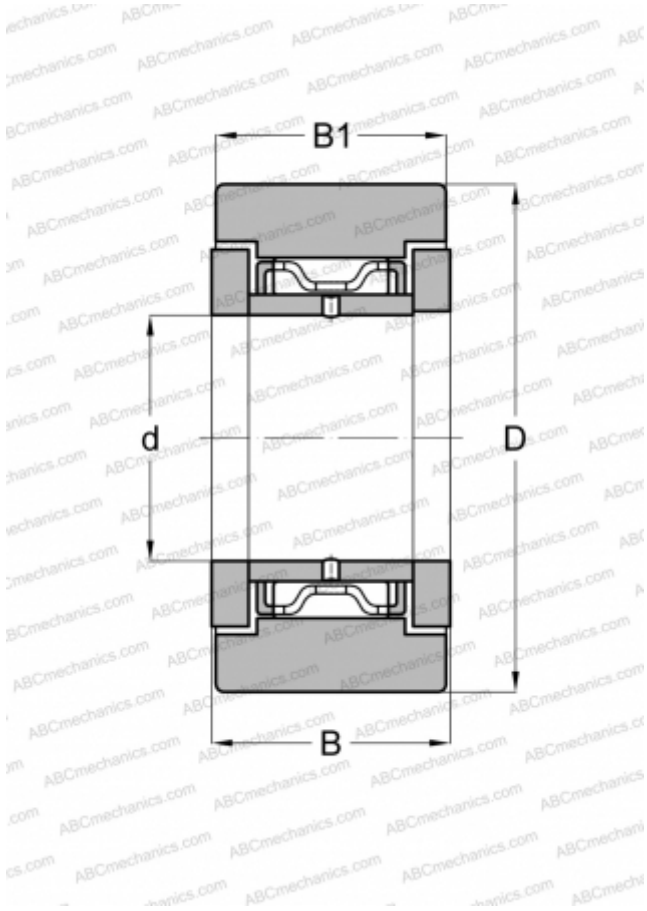


NATR5DZ KOYO

Yoke type track roller

TYPE: Roller bearings, Yoke type track rollers, With axial guidance, Gap seals on both side, cylindrical outer ring



Technical specification

DIMENSIONS, MM

d	5,000
D	16,000
B	12,000
B1	11,000

MANUFACTURER

[KOYO](#)

INTERCHANGE

ABC	NATR 5 X
INA	NATR5-X
FAG	NATR 5 DZ
McGill	MCYRR 5 SX
SKF	NATR 5 X
JNS	NART5X
NTN	NATR5X