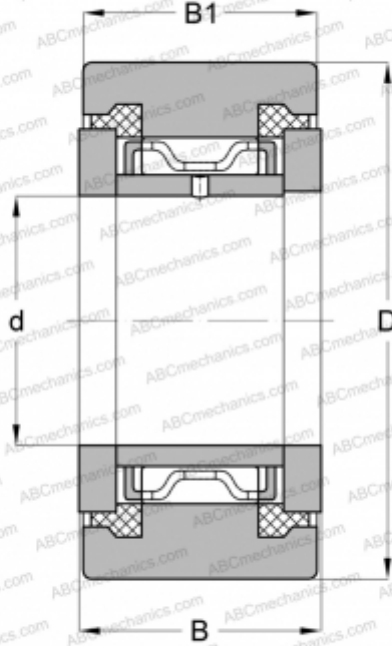


NART5UUX JNS

Yoke type track roller

TYPE: Roller bearings, Yoke type track rollers, With axial guidance, Sealing rings on both sides, cylindrical outer ring



Technical specification

DIMENSIONS, MM

d	5,000
D	16,000
B	12,000
B1	11,000

MANUFACTURER

[JNS](#)

INTERCHANGE

ABC	NATR 5 PPX
McGill	MCYRR 5 SX
SKF	NATR 5 PPX
INA	NATR5-X-PP
NTN	NATR5XLL