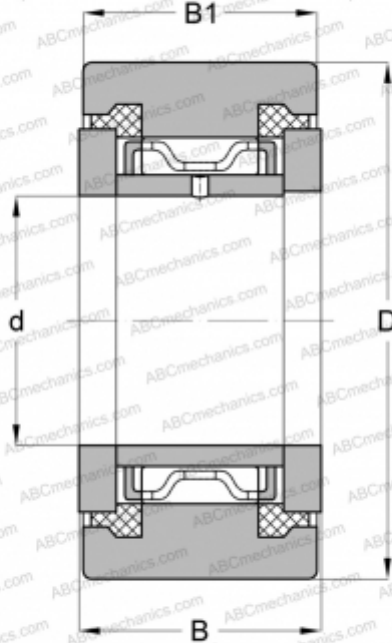


## NATR8XLL NTN

Yoke type track roller

TYPE: Roller bearings, Yoke type track rollers, With axial guidance, Sealing rings on both sides, cylindrical outer ring



### Technical specification

#### DIMENSIONS, MM

d	8,000
D	24,000
B	15,000
B1	14,000

#### MANUFACTURER

[NTN](#)

#### INTERCHANGE

ABC	<a href="#">NATR 8 PPX</a>
McGill	<a href="#">MCYRR 8 SX</a>
SKF	<a href="#">NATR 8 PPX</a>
INA	<a href="#">NATR8-X-PP</a>
JNS	<a href="#">NART8UUX</a>