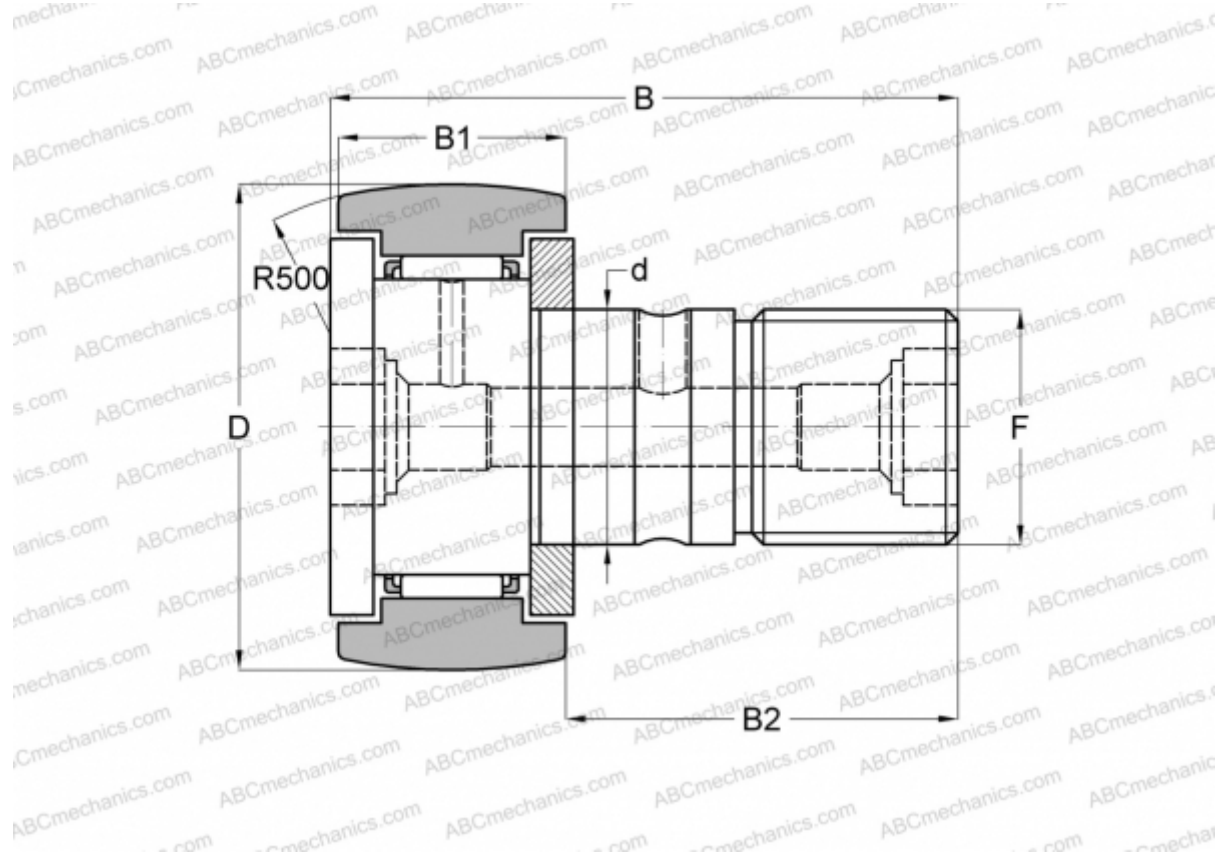


CF6R JNS

Cam followers

TYPE: Roller bearings, Stud type track rollers, With axial guidance, gap seals on both side



Technical specification

DIMENSIONS, MM

d	6,000
D	16,000
B	28,000
B1	11,000
B2	16,000
F	M6x1

MANUFACTURER

[JNS](#)

INTERCHANGE

KOYO	KR16C SK
NTN	KR16

INTERCHANGE

ABC	KR 16
IKO	CF 6 R
McGill	MCFR-16
FAG	KR 16
INA	KR16
SKF	KR 16