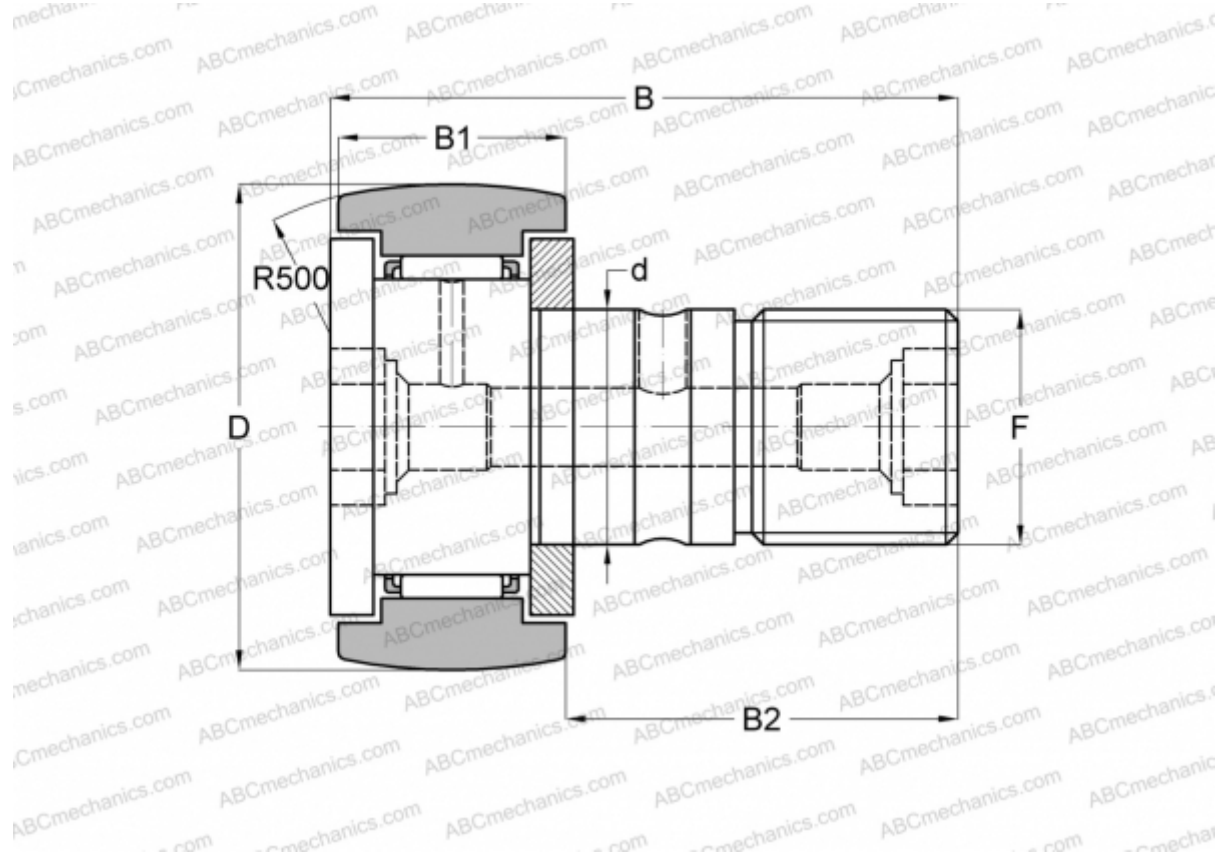


## CF8R JNS

Cam followers

TYPE: Roller bearings, Stud type track rollers, With axial guidance, gap seals on both side



### Technical specification

#### DIMENSIONS, MM

d	8,000
D	19,000
B	32,000
B1	11,000
B2	20,000
F	M8x1.25

#### INTERCHANGE

KOYO	<a href="#">KR19C SK</a>
NTN	<a href="#">KR19</a>

**MANUFACTURER** [JNS](#)

#### INTERCHANGE

ABC	<a href="#">KR 19</a>
IKO	<a href="#">CF 8 R</a>
McGill	<a href="#">MCFR-19</a>
FAG	<a href="#">KR 19</a>
INA	<a href="#">KR19</a>
SKF	<a href="#">KR 19</a>