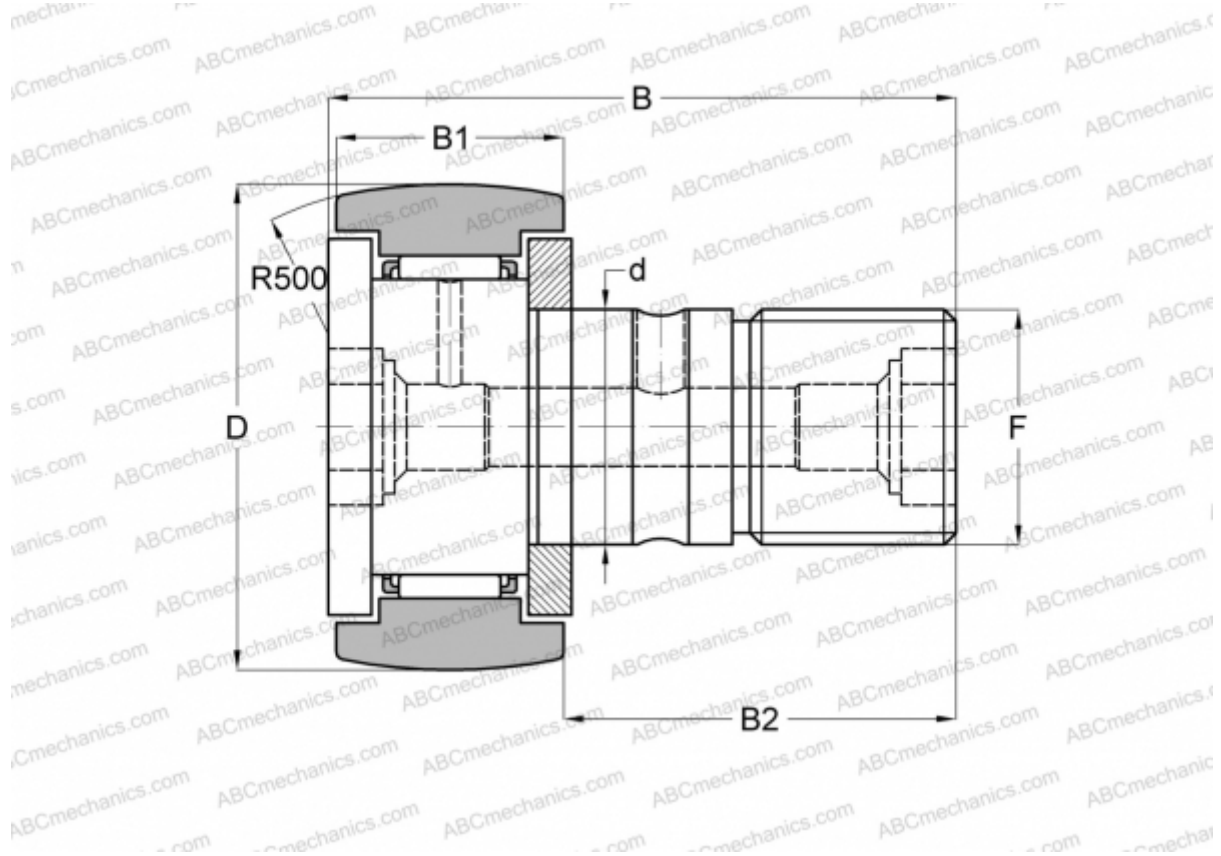


## KR12T2H/3AS NTN

Cam followers

TYPE: Roller bearings, Stud type track rollers, With axial guidance, gap seals on both side, hex hole



### Technical specification

#### DIMENSIONS, MM

d	4,000
D	12,000
B	20,000
B1	8,000
B2	11,000
F	M4x0.7

**MANUFACTURER** [NTN](#)

#### INTERCHANGE

ABC	<a href="#">CF 4 BR</a>
IKO	<a href="#">CF 4 BR</a>
JNS	<a href="#">CF4RA</a>