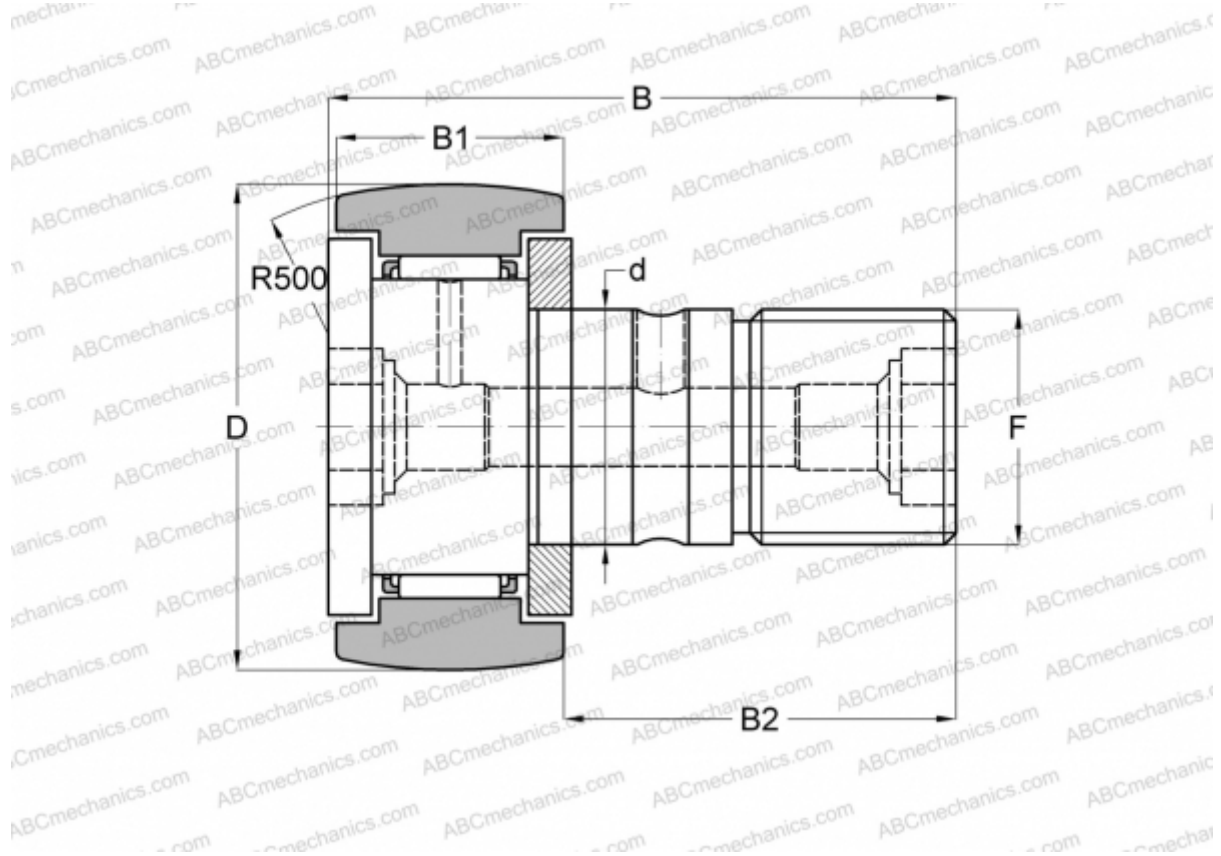


CF 5 BR IKO

Cam followers

TYPE: Roller bearings, Stud type track rollers, With axial guidance, gap seals on both side, hex hole



Technical specification

DIMENSIONS, MM

d	5,000
D	13,000
B	23,000
B1	9,000
B2	13,000
F	M5x0.8

MANUFACTURER [IKO](#)

INTERCHANGE

ABC	CF 5 BR
McGill	MCFR-13-B
JNS	CF5RA
NTN	KR13T2H/3AS