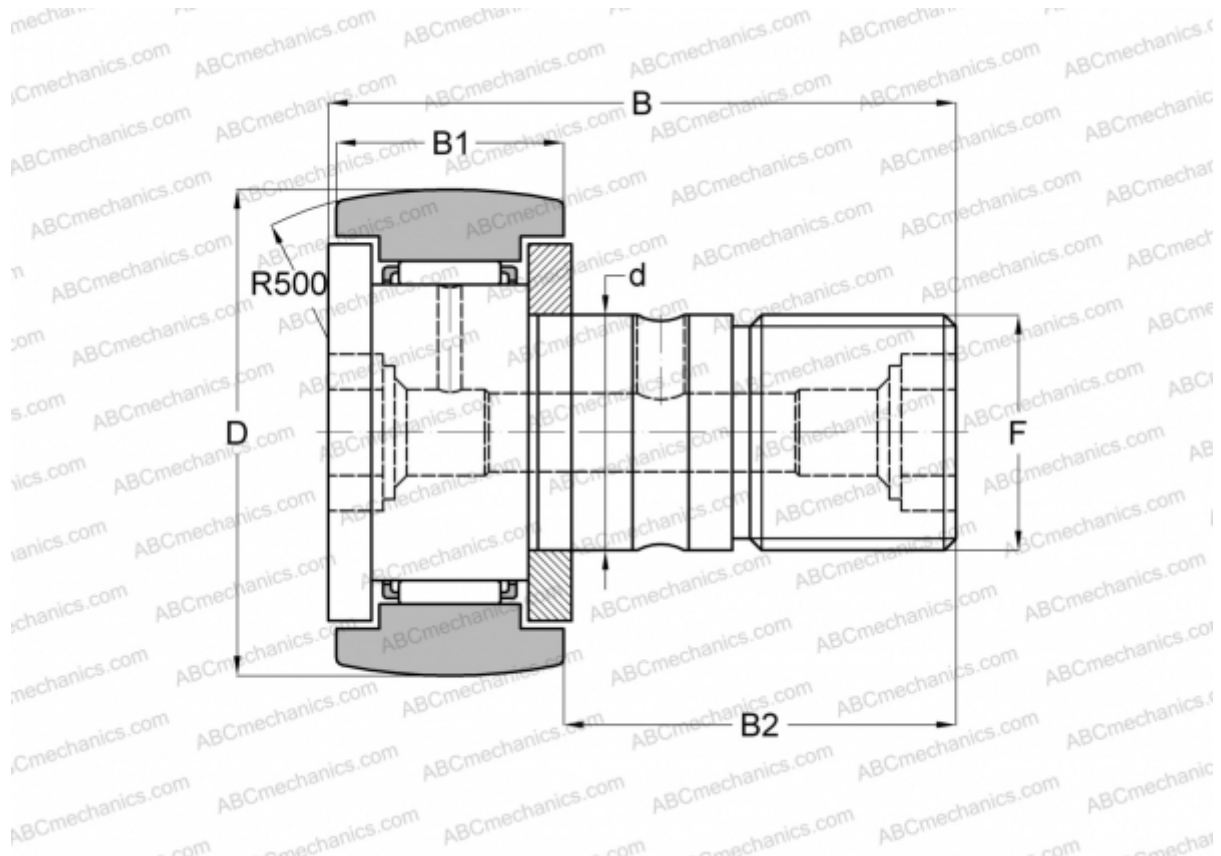


CR 10 BR ABC

Cam followers

TYPE: Roller bearings, Stud type track rollers, With axial guidance, gap seals on both side, hex hole, inch size



Technical specification

DIMENSIONS, MM

d	6,350
D	15,875
B	26,987
B1	11,112
B2	15,875
F	1/4-28

MANUFACTURER [ABC](#)

INTERCHANGE

IKO [CR 10 BR](#)