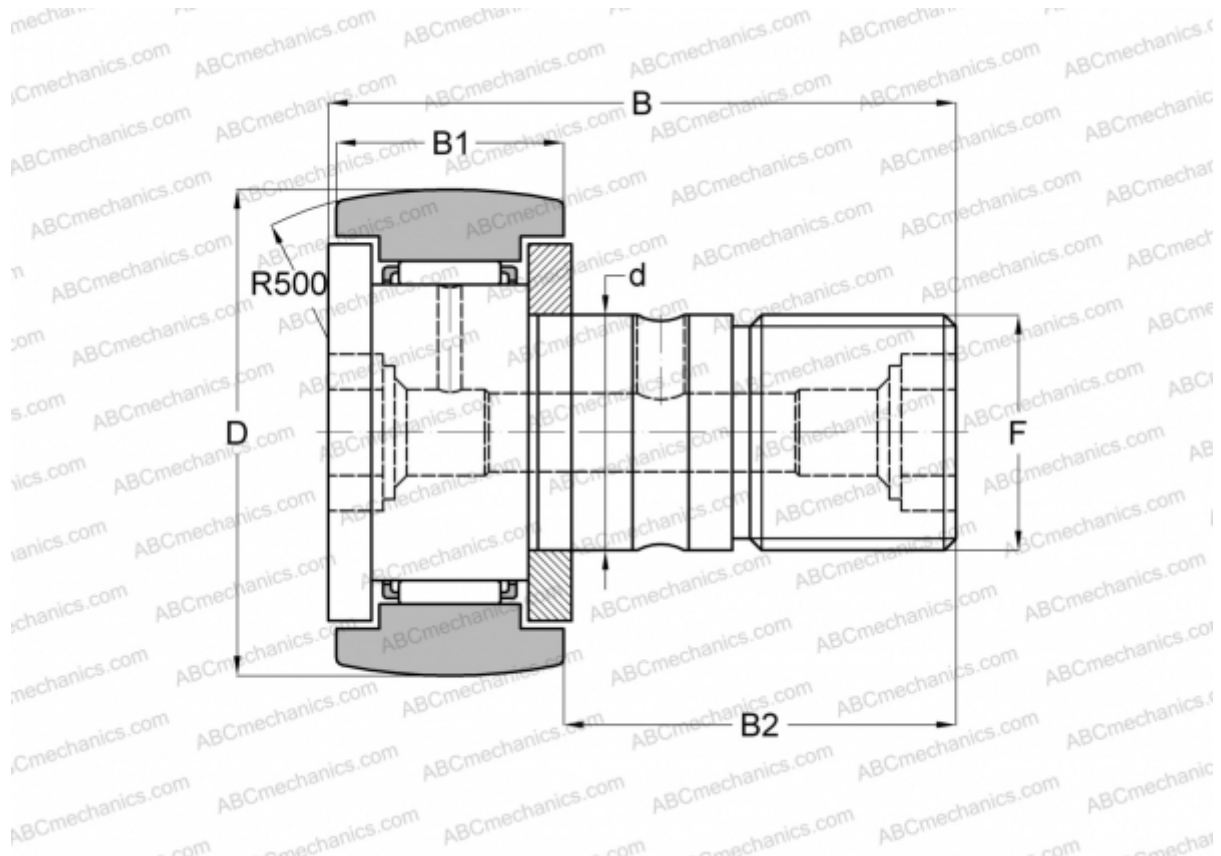


## CR 10-1 BR ABC

Cam followers

TYPE: Roller bearings, Stud type track rollers, With axial guidance, gap seals on both side, hex hole, inch size



### Technical specification

#### DIMENSIONS, MM

d	6,350
D	15,875
B	30,956
B1	11,906
B2	19,050
F	1/4-28

**MANUFACTURER** [ABC](#)

#### INTERCHANGE

IKO	<a href="#">CR 10-1 BR</a>
INA	<a href="#">CFC10-1YSK</a>