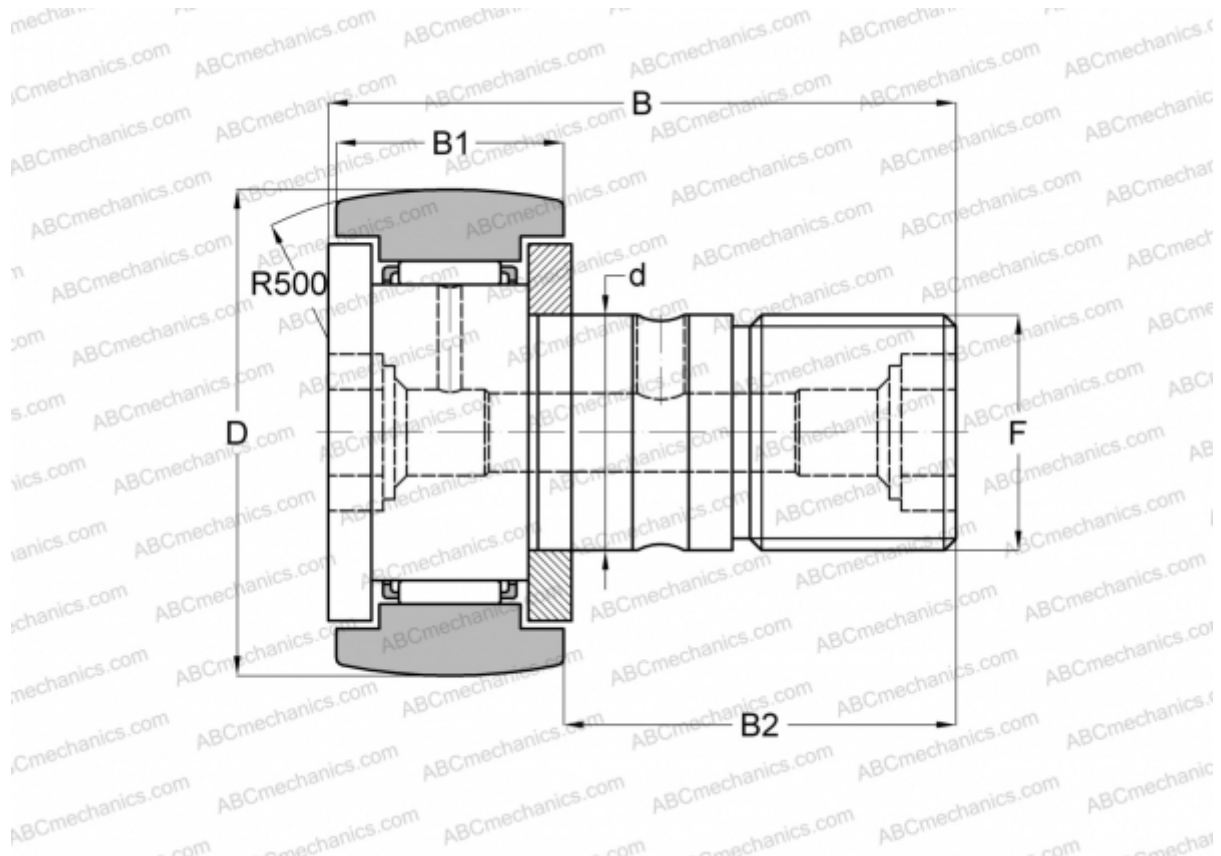


CFC10-1YSK INA

Cam followers

TYPE: Roller bearings, Stud type track rollers, With axial guidance, gap seals on both side, hex hole, inch size



Technical specification

DIMENSIONS, MM

d	6,350
D	15,875
B	30,956
B1	11,906
B2	19,050
F	1/4-28

MANUFACTURER [INA](#)

INTERCHANGE

ABC	CR 10-1 BR
IKO	CR 10-1 BR