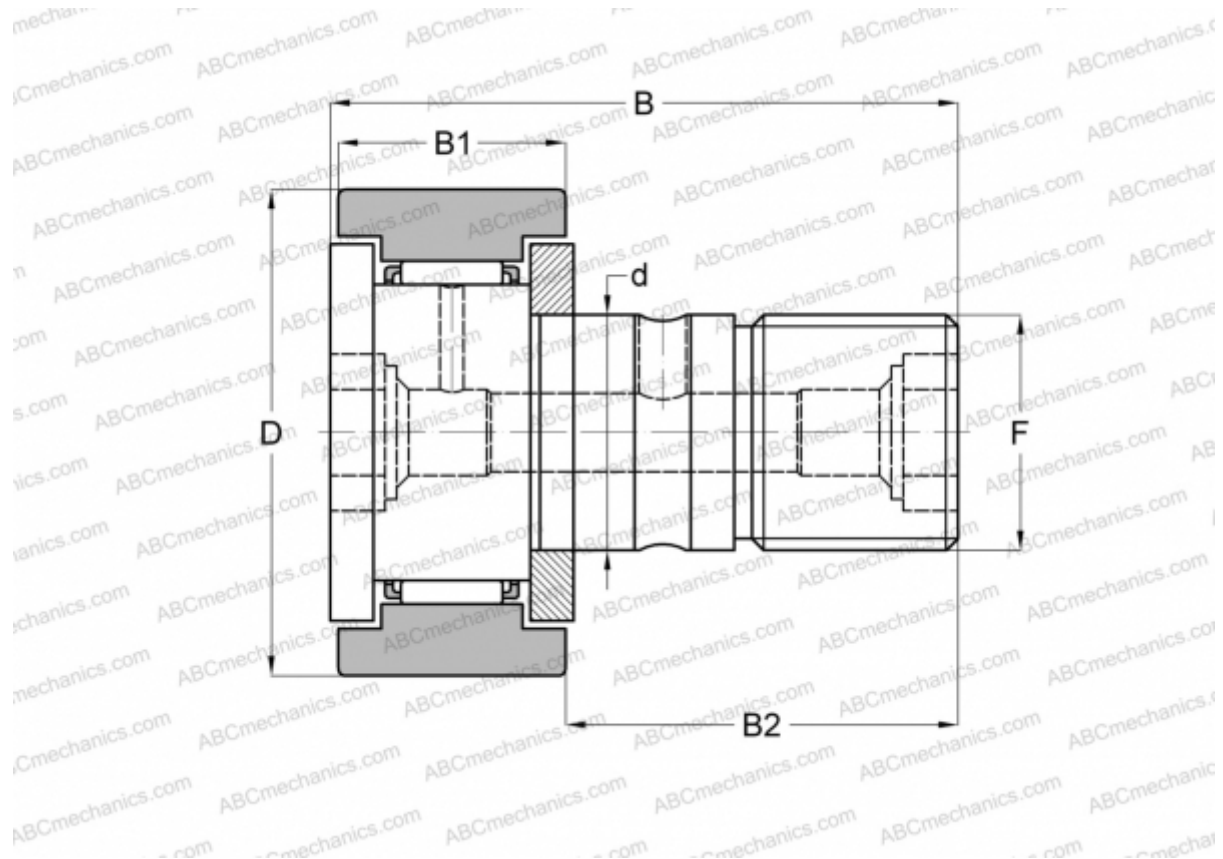


KR16X NTN

Cam followers

TYPE: Roller bearings, Stud type track rollers, With axial guidance, gap seals on both side, cylindrical outer ring



Technical specification

DIMENSIONS, MM

d	6,000
D	16,000
B	28,000
B1	11,000
B2	16,000
F	M6x1

INTERCHANGE

JNS	CF6
-----	---------------------

MANUFACTURER [NTN](#)

INTERCHANGE

ABC	KR 16 X
IKO	CF 6
McGill	MCFR-16-X
FAG	KR 16 DZ
INA	KR16X
SKF	KR 16 X