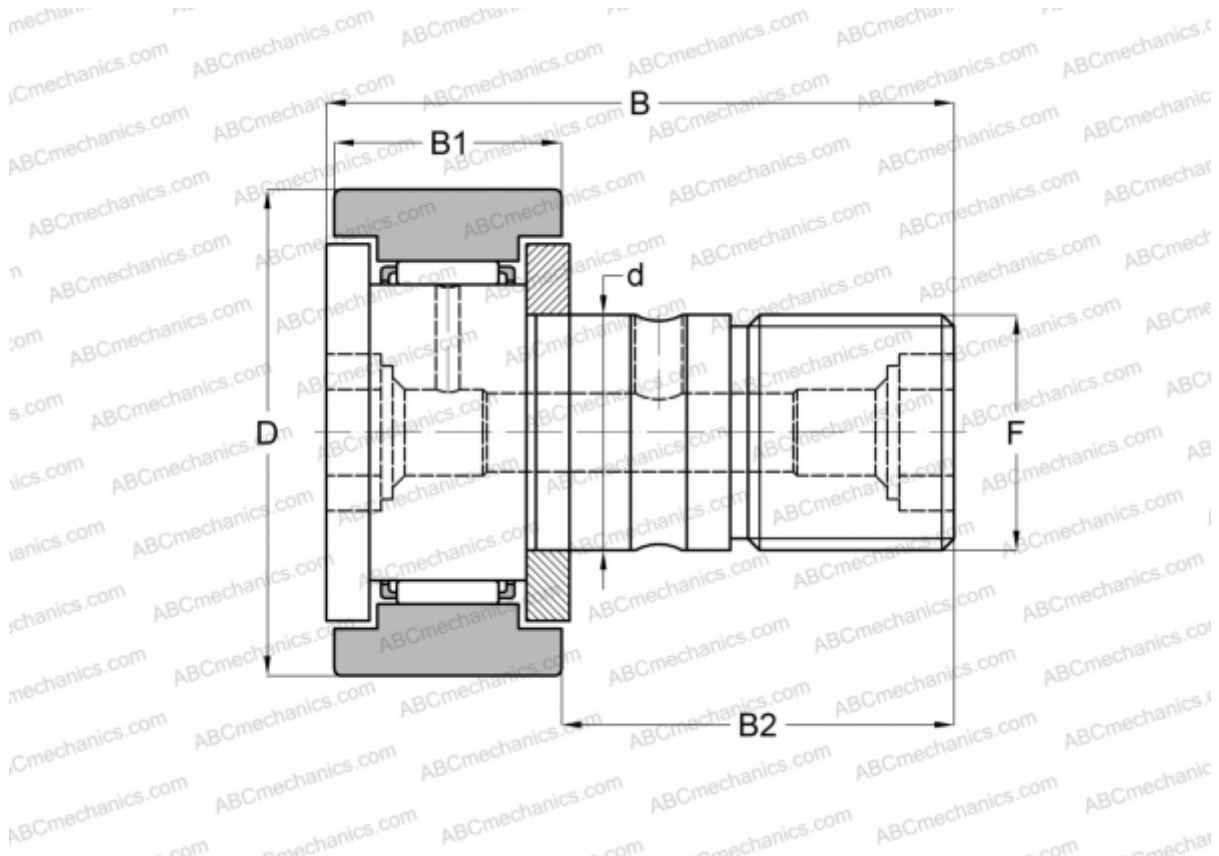


## CF3A JNS

Cam followers

TYPE: Roller bearings, Stud type track rollers, With axial guidance, gap seals on both side, cylindrical outer ring, hex hole



### Technical specification

#### DIMENSIONS, MM

d	3,000
D	10,000
B	17,000
B1	7,000
B2	9,000
F	M3x0.5

**MANUFACTURER** [JNS](#)

#### INTERCHANGE

ABC	<a href="#">CF 3 B</a>
IKO	<a href="#">CF 3 B</a>
NTN	<a href="#">KR10T2XH/3AS</a>