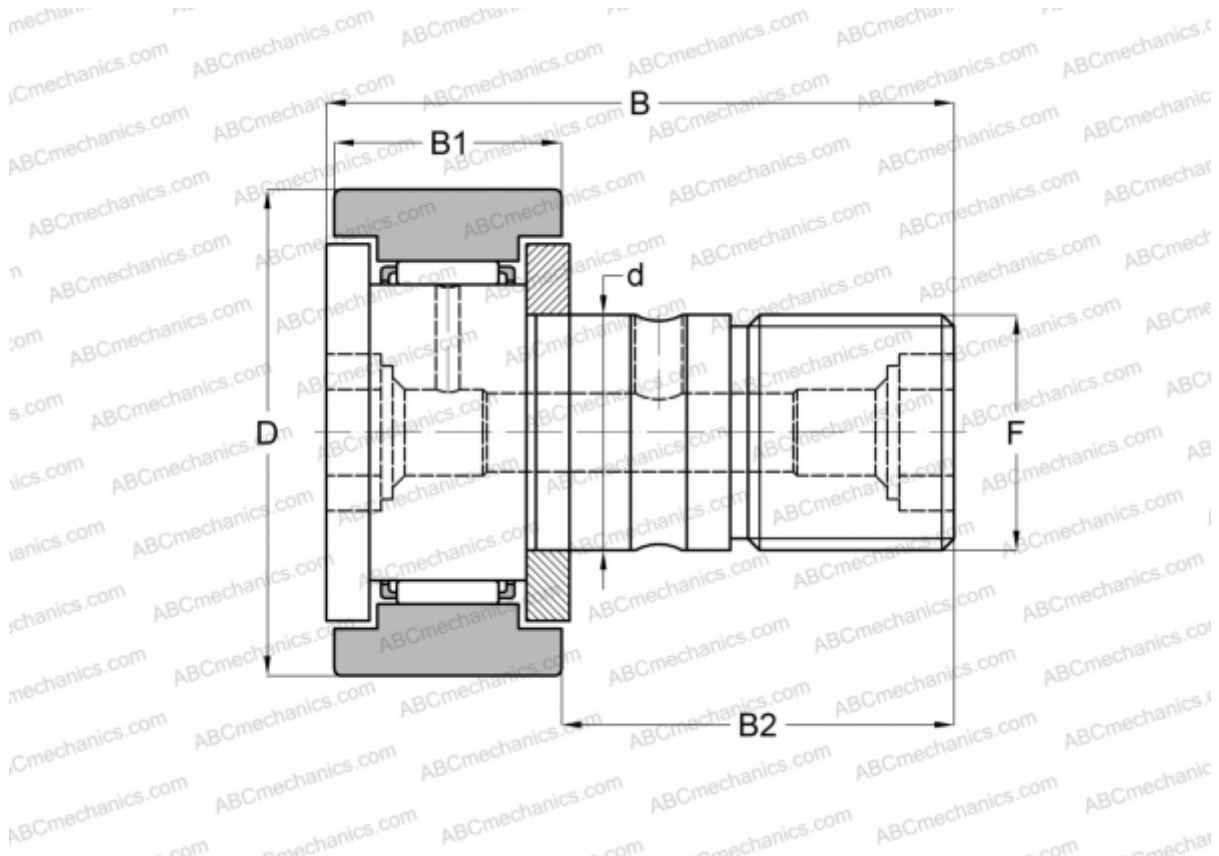


CF4A JNS

Cam followers

TYPE: Roller bearings, Stud type track rollers, With axial guidance, gap seals on both side, cylindrical outer ring, hex hole



Technical specification

DIMENSIONS, MM

| | |
|----|--------|
| d | 4,000 |
| D | 12,000 |
| B | 20,000 |
| B1 | 8,000 |
| B2 | 11,000 |
| F | M4x0.7 |

MANUFACTURER [JNS](#)

INTERCHANGE

| | |
|-----|------------------------------|
| ABC | CF 4 B |
| IKO | CF 4 B |
| NTN | KR12T2XH/3AS |