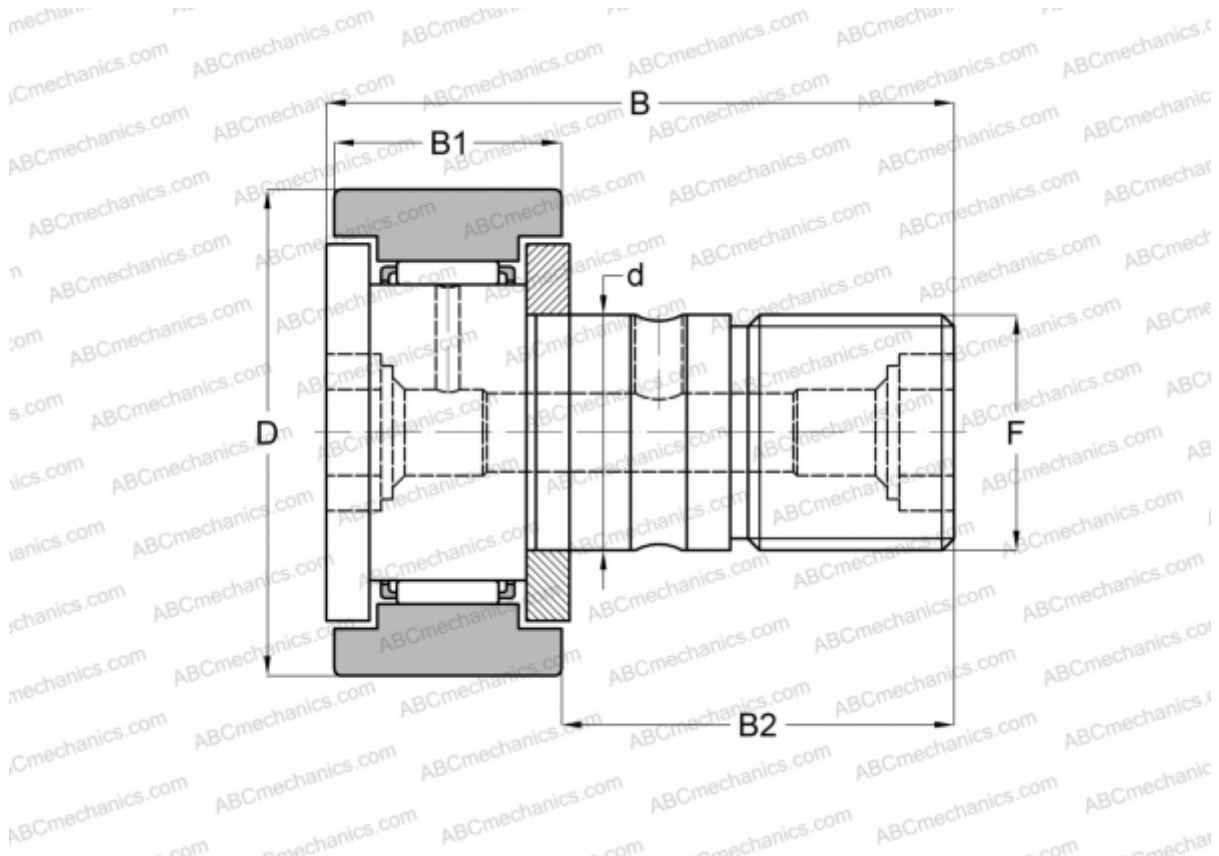


## CF5A JNS

Cam followers

TYPE: Roller bearings, Stud type track rollers, With axial guidance, gap seals on both side, cylindrical outer ring, hex hole



### Technical specification

#### DIMENSIONS, MM

d	5,000
D	13,000
B	23,000
B1	9,000
B2	13,000
F	M5x0.8

**MANUFACTURER** [JNS](#)

#### INTERCHANGE

ABC	<a href="#">CF 5 B</a>
IKO	<a href="#">CF 5 B</a>
McGill	<a href="#">MCFR-13-BX</a>
NTN	<a href="#">KR13T2XH/3AS</a>