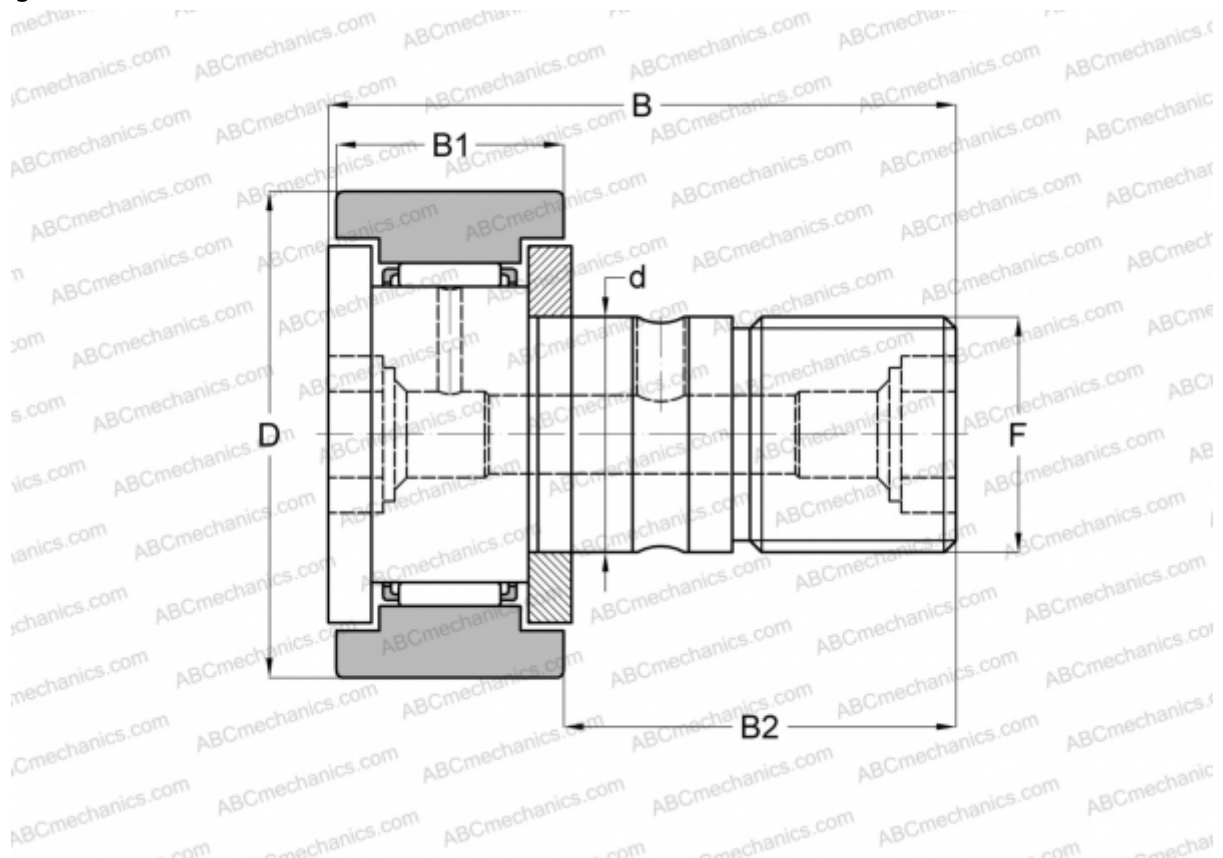


CR 8-1 B ABC

Cam followers

TYPE: Roller bearings, Stud type track rollers, With axial guidance, gap seals on both side, cylindrical outer ring, hex hole, inch size



Technical specification

DIMENSIONS, MM

d	4,826
D	12,700
B	26,194
B1	10,319
B2	15,875
F	NO. 10-32

MANUFACTURER [ABC](#)

INTERCHANGE

IKO	CR 8-1 B
INA	CFC8-1SK