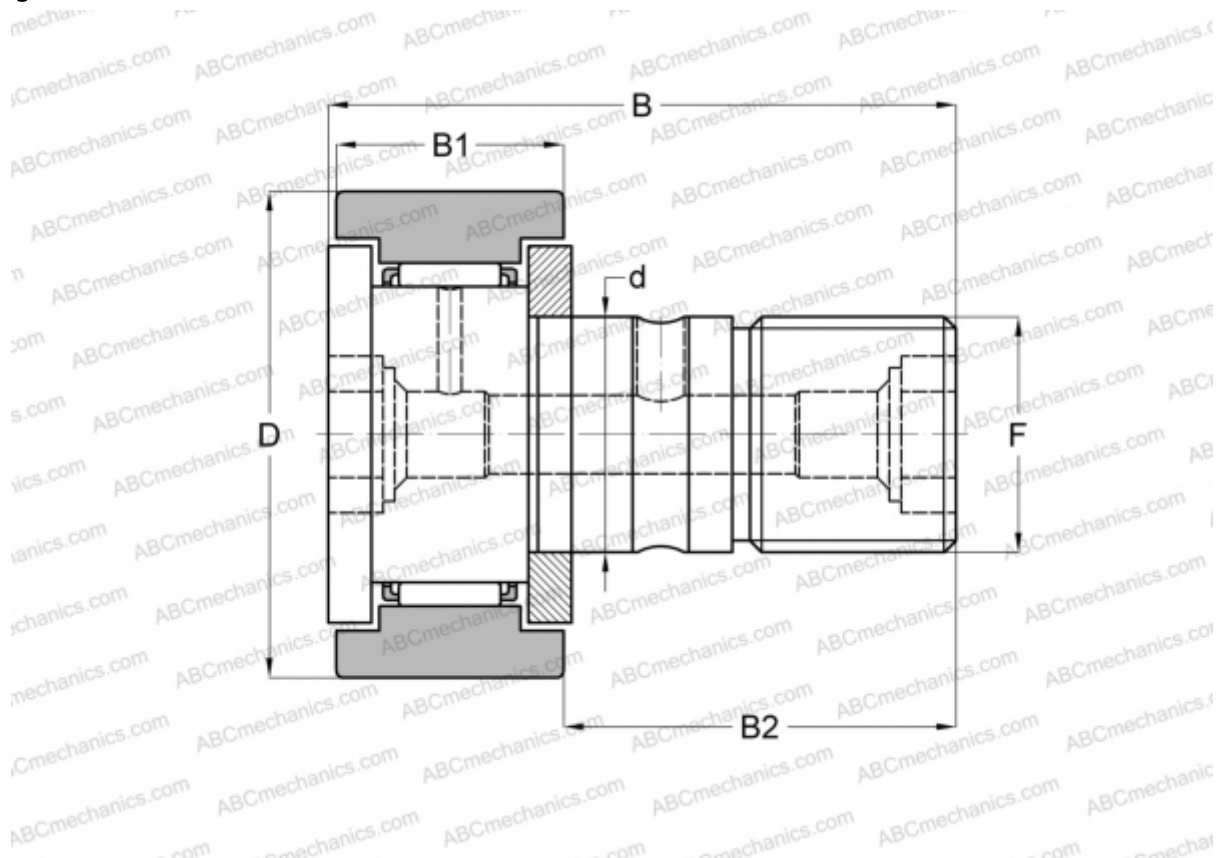


## CFC8-1SK INA

Cam followers

TYPE: Roller bearings, Stud type track rollers, With axial guidance, gap seals on both side, cylindrical outer ring, hex hole, inch size



### Technical specification

#### DIMENSIONS, MM

d	4,826
D	12,700
B	26,194
B1	10,319
B2	15,875
F	NO. 10-32

**MANUFACTURER** [INA](#)

#### INTERCHANGE

ABC	<a href="#">CR 8-1 B</a>
IKO	<a href="#">CR 8-1 B</a>