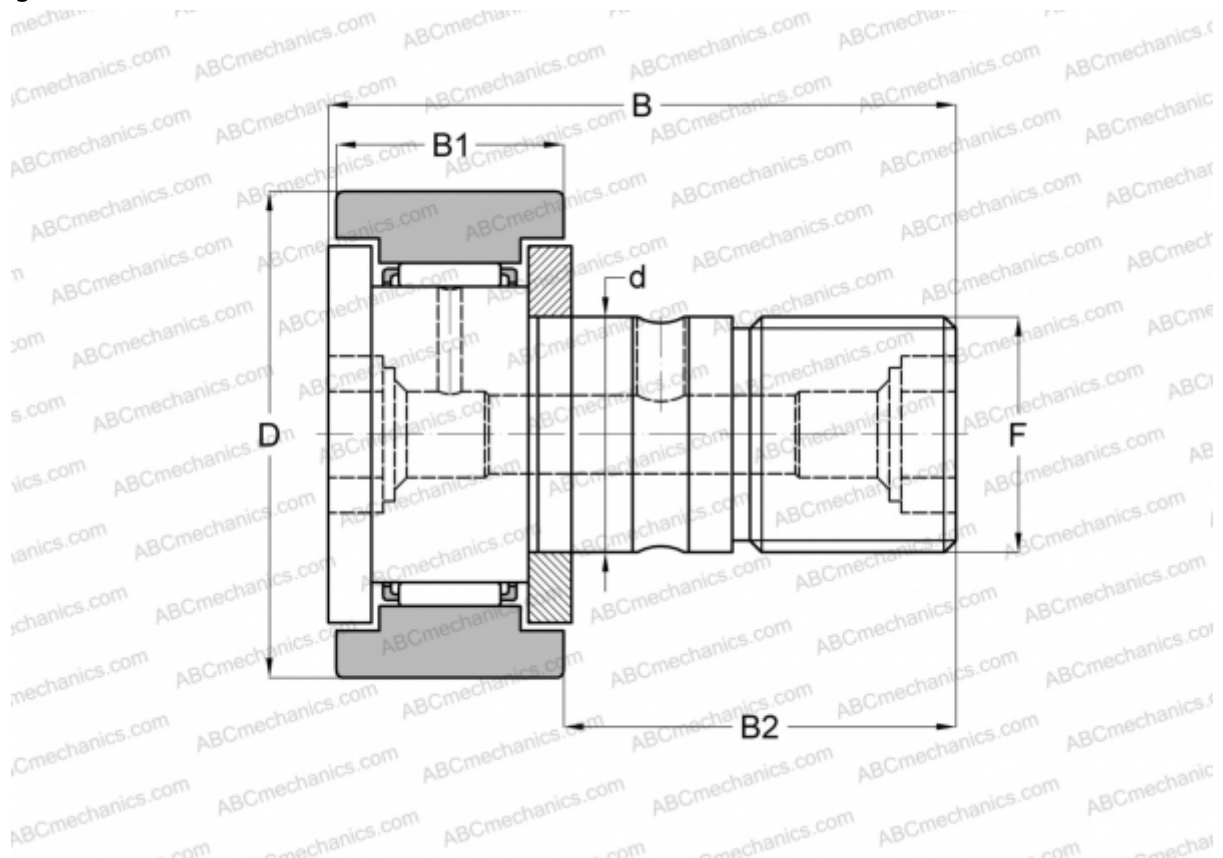


CFC10-1SK INA

Cam followers

TYPE: Roller bearings, Stud type track rollers, With axial guidance, gap seals on both side, cylindrical outer ring, hex hole, inch size



Technical specification

DIMENSIONS, MM

| | |
|----|--------|
| d | 6,350 |
| D | 15,875 |
| B | 30,956 |
| B1 | 11,906 |
| B2 | 19,050 |
| F | 1/4-28 |

MANUFACTURER [INA](#)

INTERCHANGE

| | |
|-----|---------------------------|
| ABC | CR 10-1 B |
| IKO | CR 10-1 B |