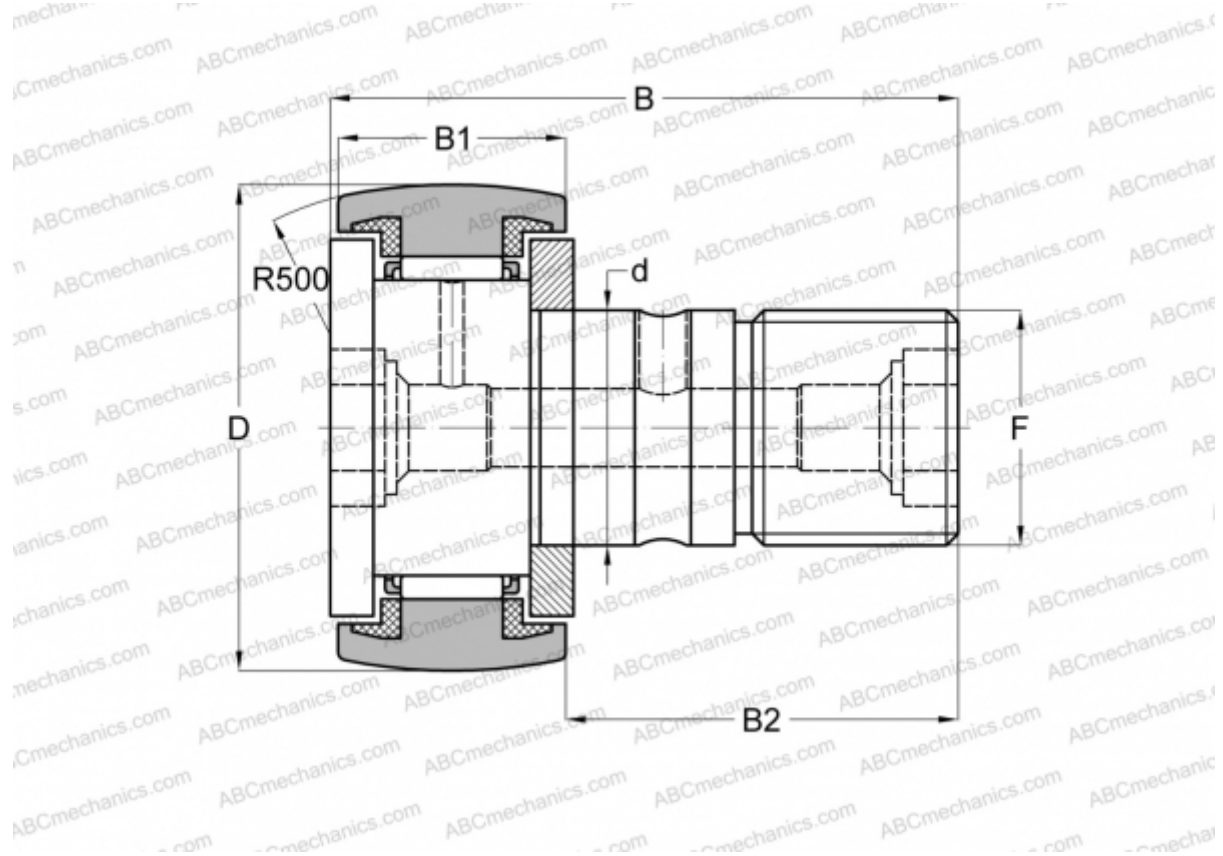


## KR 16 C2RS FAG

Cam followers

TYPE: Roller bearings, Stud type track rollers, With axial guidance, sealing rings on both sides



### Technical specification

#### DIMENSIONS, MM

d	6,000
D	16,000
B	28,000
B1	11,000
B2	16,000
F	M6x1

#### INTERCHANGE

JNS	<a href="#">CF6UUR</a>
NTN	<a href="#">KR16LL</a>

#### REPLACES

NAKD 16

**MANUFACTURER** [FAG](#)

#### INTERCHANGE

ABC	<a href="#">KR 16 PP</a>
INA	<a href="#">KR16-PP</a>
SKF	<a href="#">KR 16 PPA</a>
IKO	<a href="#">CF 6 UUR</a>
McGill	<a href="#">MCFR-16-S</a>
KOYO	<a href="#">KR16C 2RS SK</a>