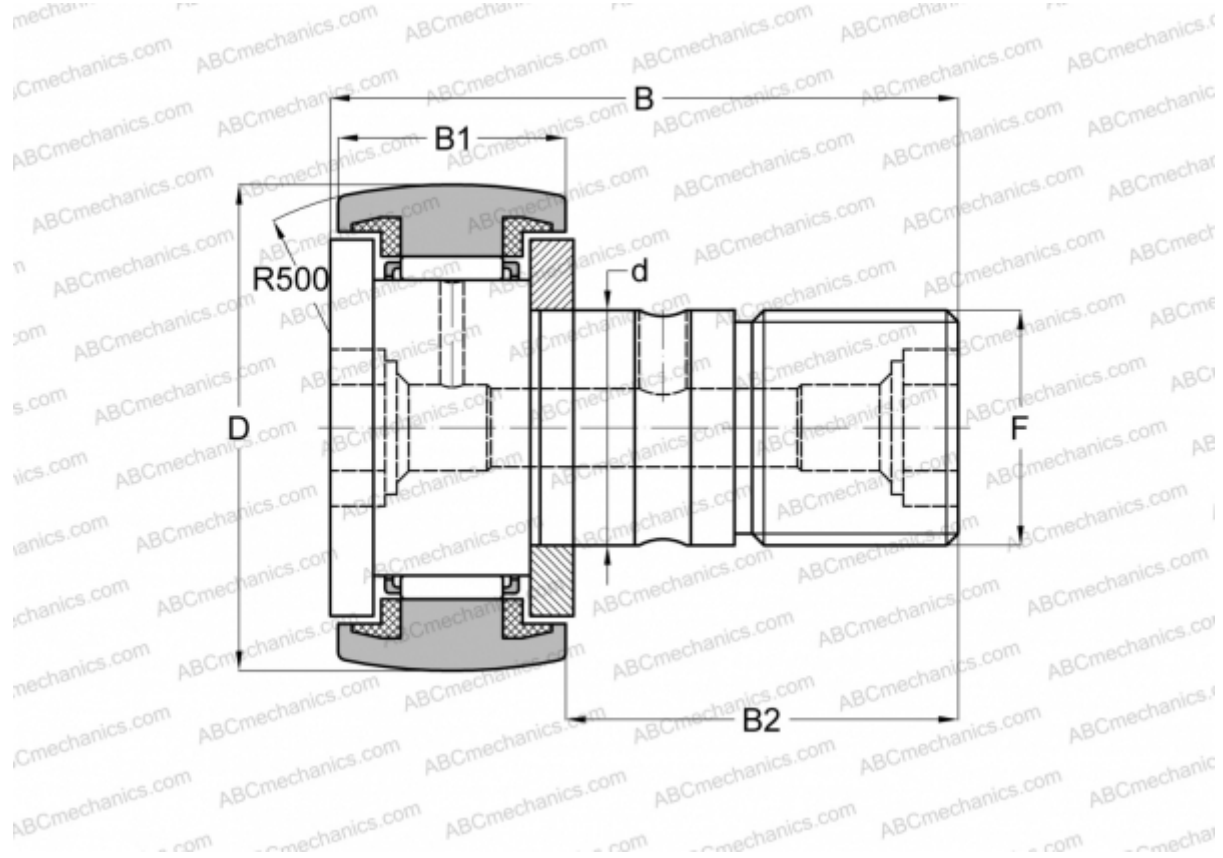


## KR16-PP INA

Cam followers

TYPE: Roller bearings, Stud type track rollers, With axial guidance, sealing rings on both sides



### Technical specification

#### DIMENSIONS, MM

d	6,000
D	16,000
B	28,000
B1	12,200
B2	16,000
F	M6(X1)

#### INTERCHANGE

JNS	<a href="#">CF6UUR</a>
NTN	<a href="#">KR16LL</a>

#### REPLACES

KR16-SK-PP

#### MANUFACTURER

[INA](#)

#### INTERCHANGE

ABC	<a href="#">KR 16 PP</a>
FAG	<a href="#">KR 16 C2RS</a>
SKF	<a href="#">KR 16 PPA</a>
IKO	<a href="#">CF 6 UUR</a>
McGill	<a href="#">MCFR-16-S</a>
KOYO	<a href="#">KR16C 2RS SK</a>