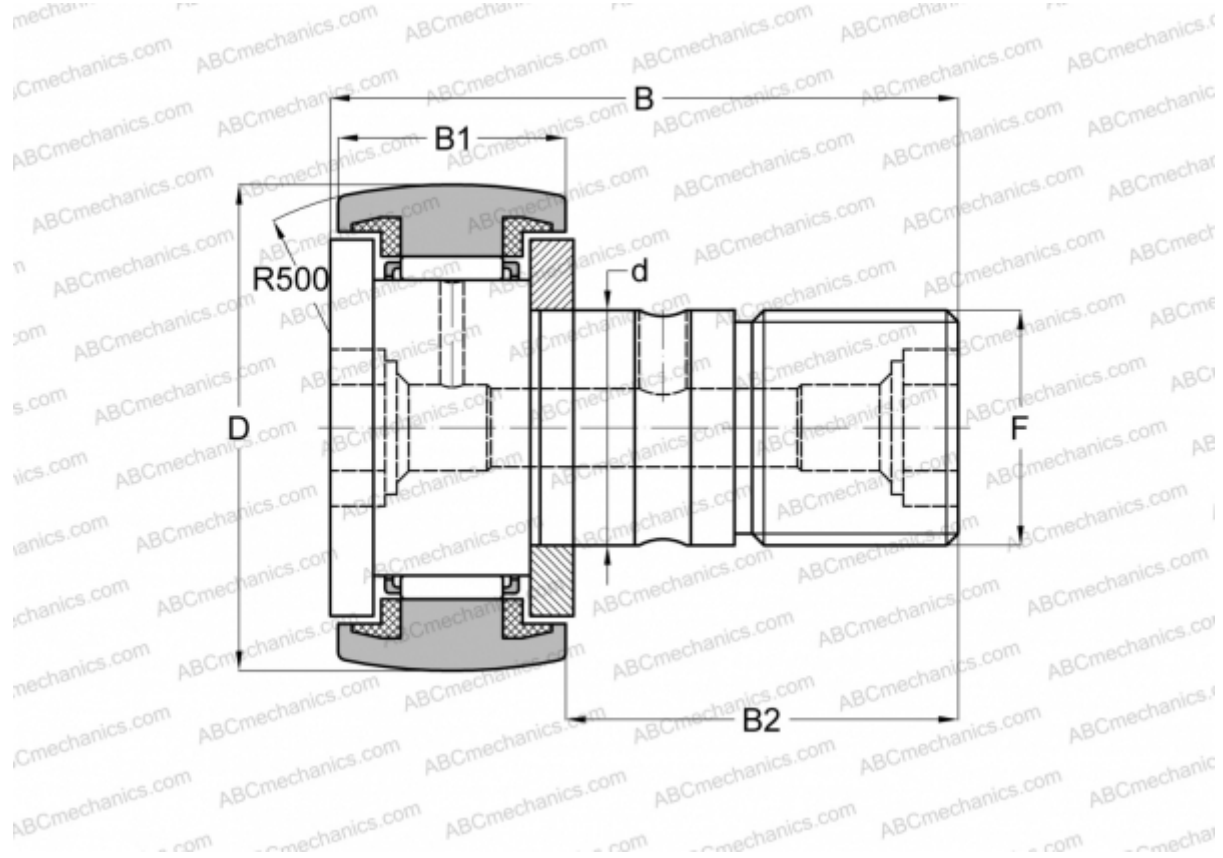


KR 16 PPA SKF

Cam followers

TYPE: Roller bearings, Stud type track rollers, With axial guidance, sealing rings on both sides



Technical specification

DIMENSIONS, MM

d	6,000
D	16,000
B	28,000
B1	11,000
B2	16,000
F	M6

INTERCHANGE

JNS	CF6UUR
NTN	KR16LL

MANUFACTURER [SKF](#)

INTERCHANGE

ABC	KR 16 PP
FAG	KR 16 C2RS
INA	KR16-PP
IKO	CF 6 UUR
McGill	MCFR-16-S
KOYO	KR16C 2RS SK