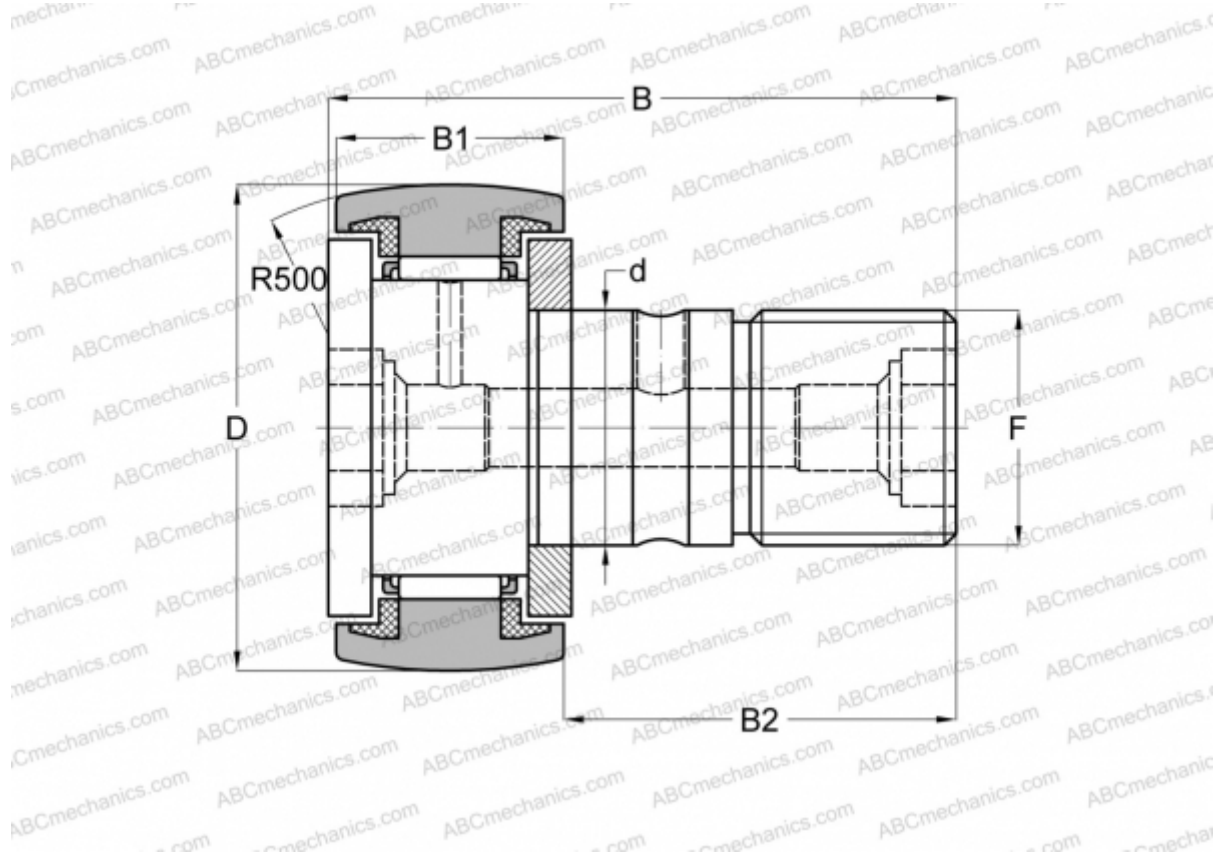


KR 16 PPSKA SKF

Cam followers

TYPE: Roller bearings, Stud type track rollers, With axial guidance, sealing rings on both sides



Technical specification

DIMENSIONS, MM

d	6,000
D	16,000
B	28,000
B1	11,000
B2	16,000
F	M6

MANUFACTURER

[SKF](#)