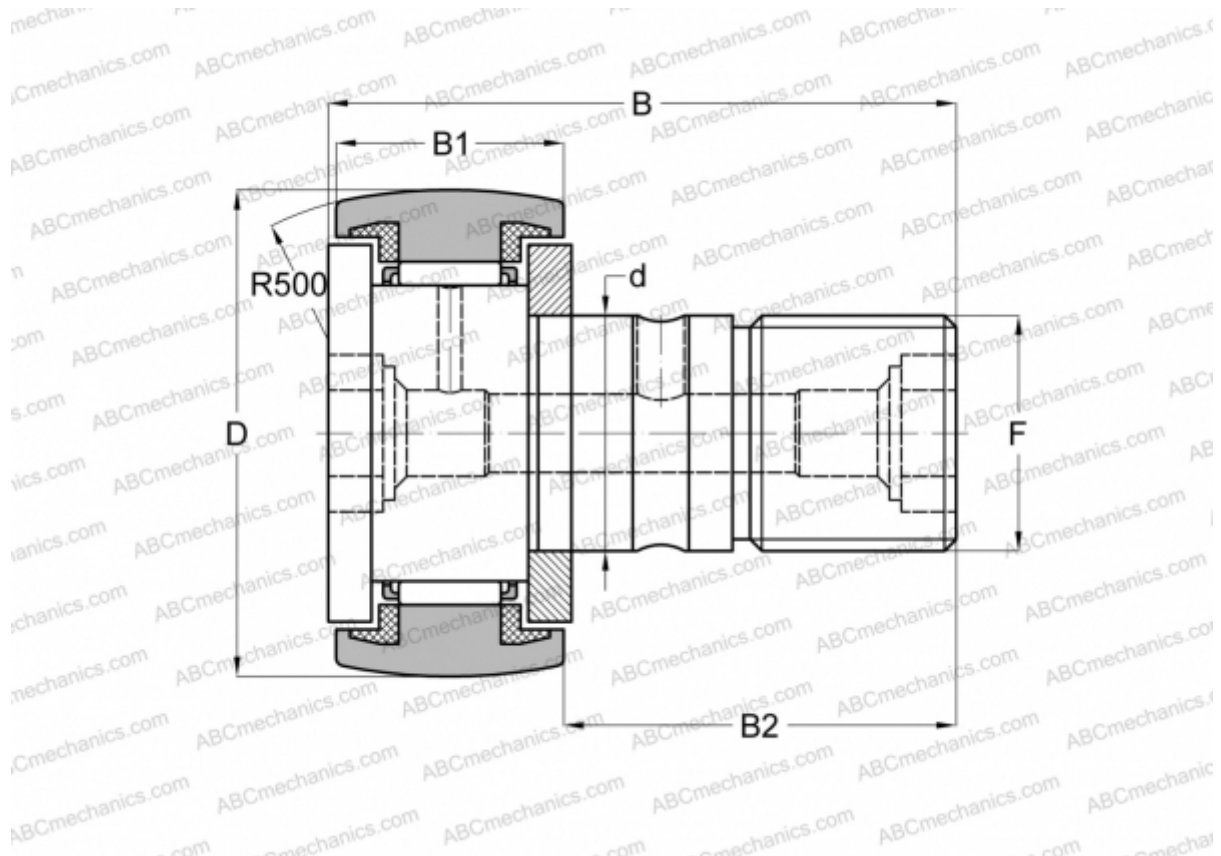


CF 3 BUUR IKO

Cam followers

TYPE: Roller bearings, Stud type track rollers, With axial guidance, sealing rings on both sides, hex socket



Technical specification

DIMENSIONS, MM

| | |
|----|--------|
| d | 3,000 |
| D | 10,000 |
| B | 17,000 |
| B1 | 7,000 |
| B2 | 9,000 |
| F | M3x0.5 |

MANUFACTURER [IKO](#)

INTERCHANGE

| | |
|-----|-------------------------------|
| ABC | CF 3 BUUR |
| JNS | CF3UURA |
| NTN | KR10LLT2H/3AS |