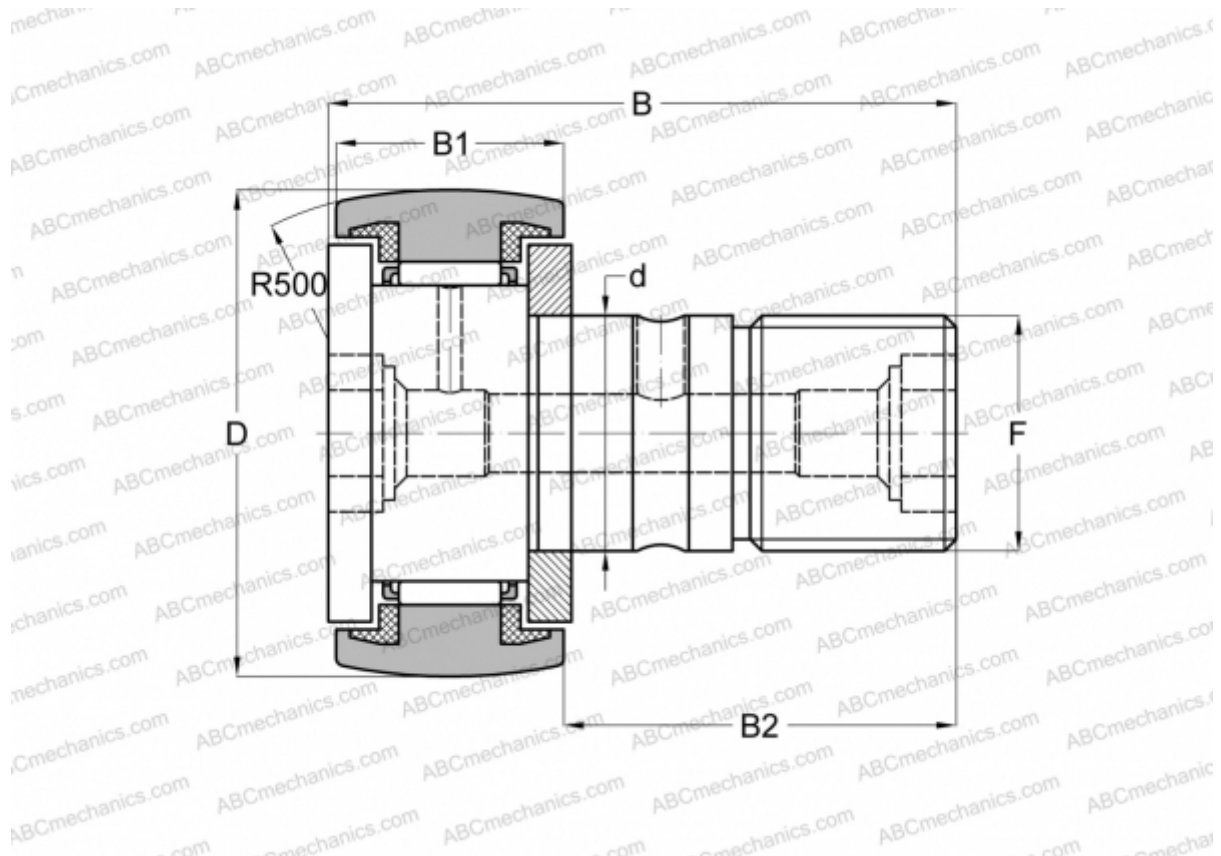


## CF3UURA JNS

Cam followers

TYPE: Roller bearings, Stud type track rollers, With axial guidance, sealing rings on both sides, hex socket



### Technical specification

#### DIMENSIONS, MM

d	3,000
D	10,000
B	17,000
B1	7,000
B2	9,000
F	M3x0.5

**MANUFACTURER** [JNS](#)

#### INTERCHANGE

ABC	<a href="#">CF 3 BUUR</a>
IKO	<a href="#">CF 3 BUUR</a>
NTN	<a href="#">KR10LLT2H/3AS</a>