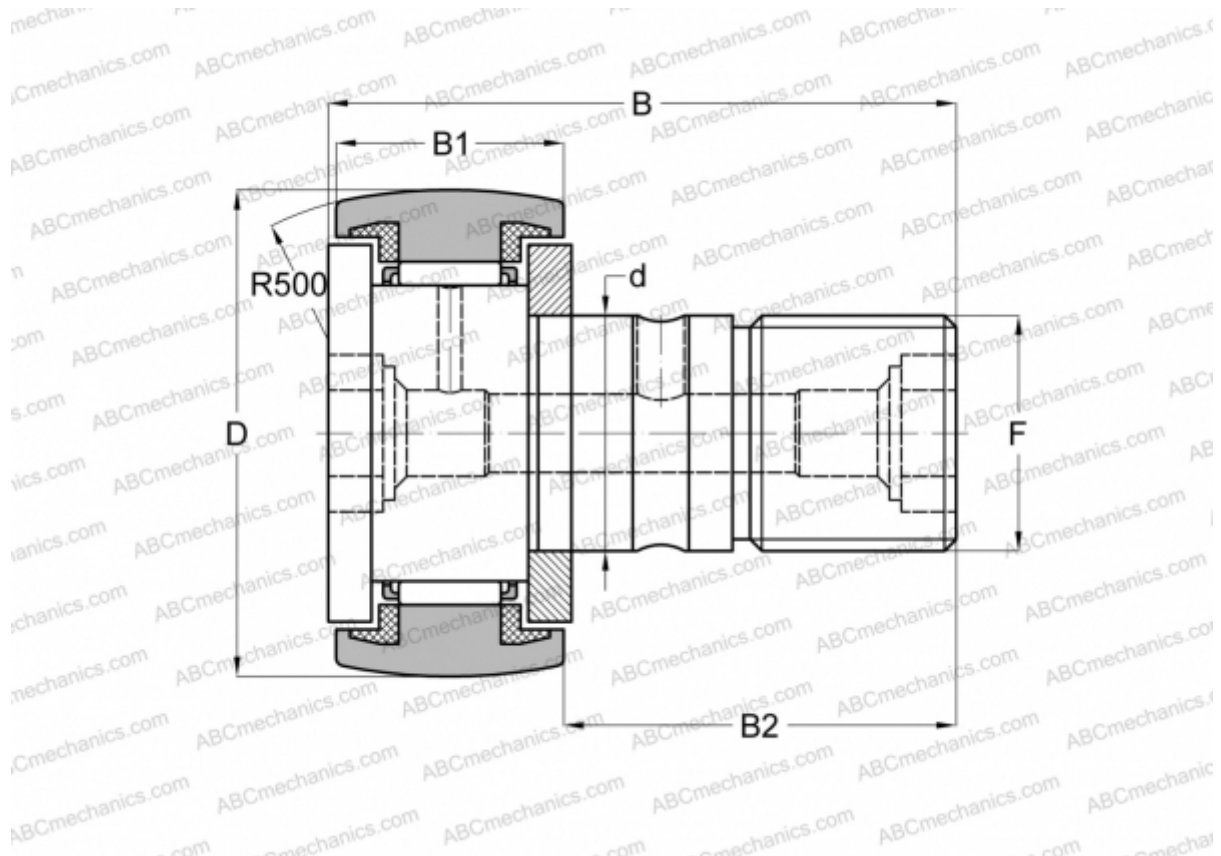


CF4UURA JNS

Cam followers

TYPE: Roller bearings, Stud type track rollers, With axial guidance, sealing rings on both sides, hex socket



Technical specification

DIMENSIONS, MM

d	4,000
D	12,000
B	20,000
B1	8,000
B2	11,000
F	M4x0.7

MANUFACTURER [JNS](#)

INTERCHANGE

ABC	CF 4 BUUR
IKO	CF 4 BUUR
NTN	KR12LLT2H/3AS