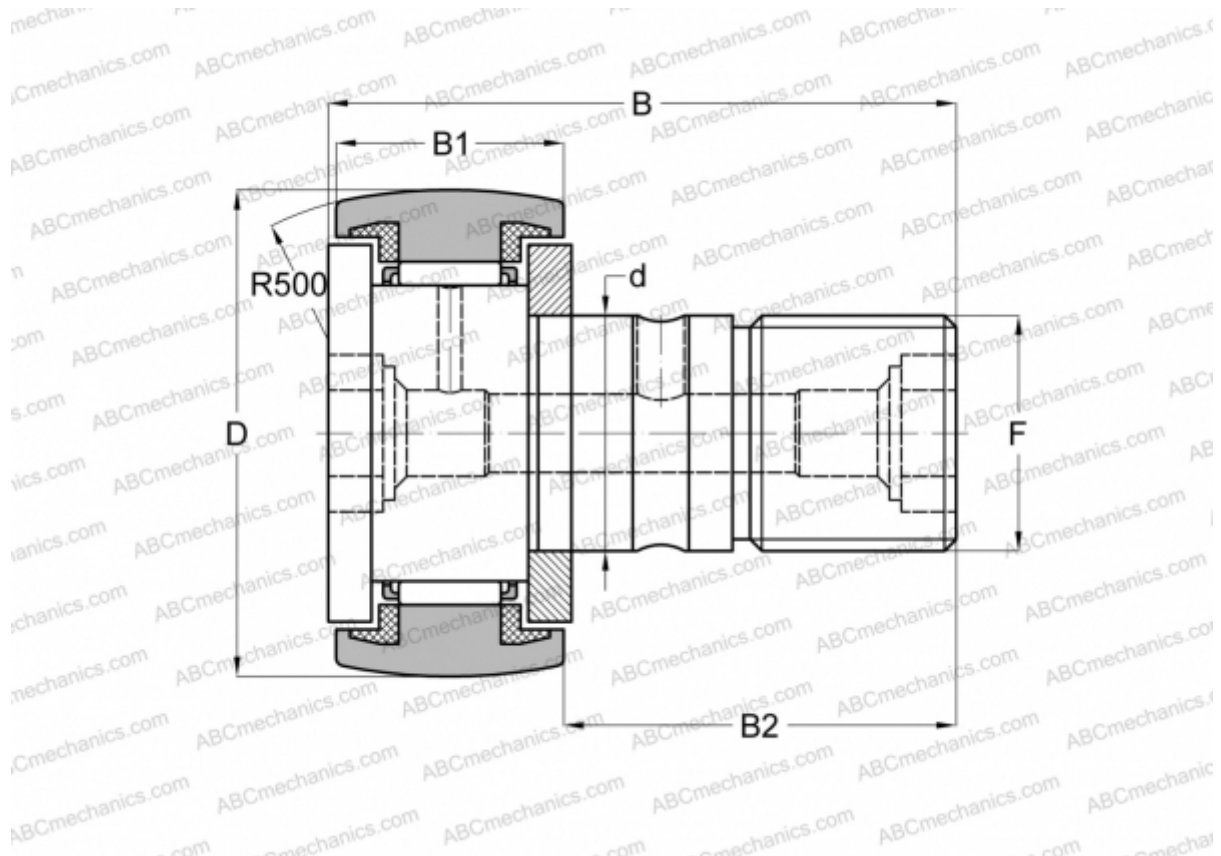


KR13LLT2H/3AS NTN

Cam followers

TYPE: Roller bearings, Stud type track rollers, With axial guidance, sealing rings on both sides, hex socket



Technical specification

DIMENSIONS, MM

d	5,000
D	13,000
B	23,000
B1	9,000
B2	13,000
F	M5x0.8

MANUFACTURER [NTN](#)

INTERCHANGE

ABC	CF 5 BUUR
IKO	CF 5 BUUR
McGill	MCFR-13-SB
JNS	CF5UURA