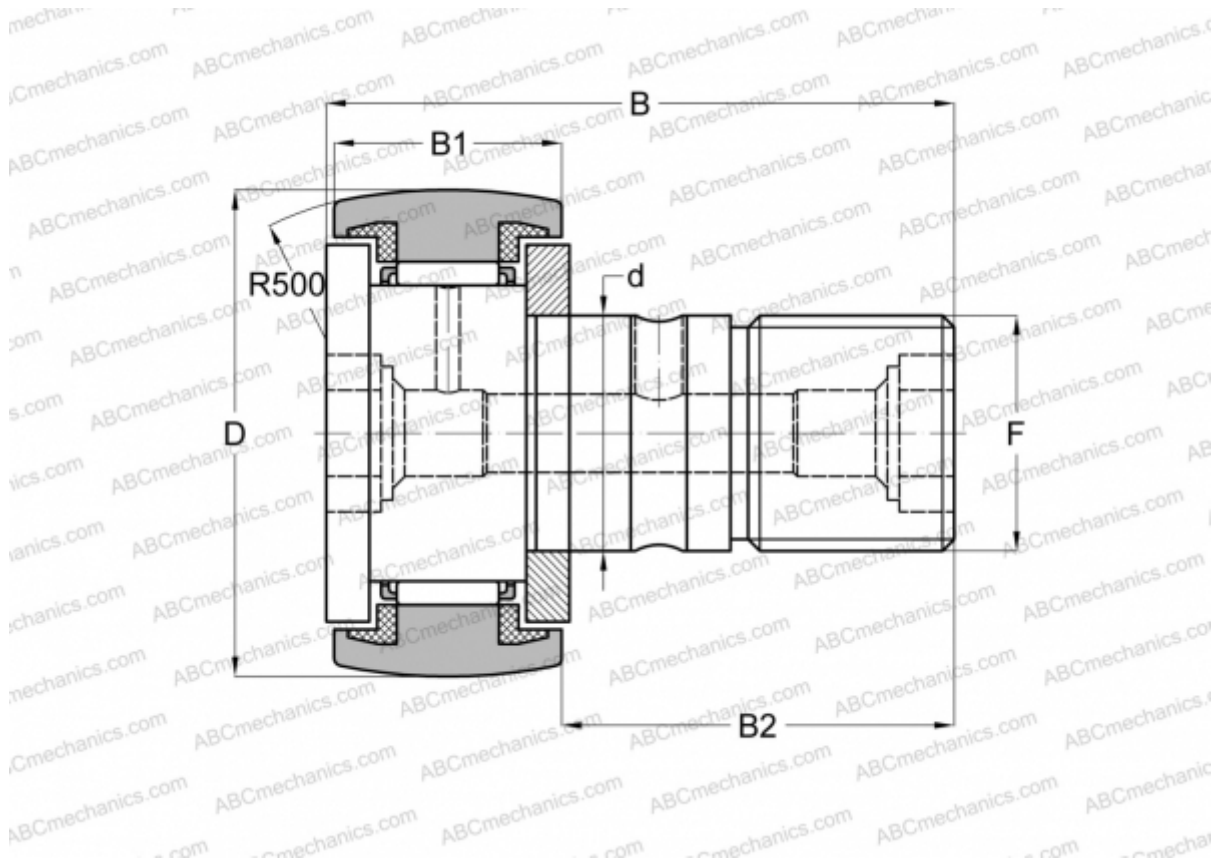


MCFR-52-SB McGill

Cam followers

TYPE: Roller bearings, Stud type track rollers, With axial guidance, sealing rings on both sides, hex socket



Technical specification

DIMENSIONS, MM

| | |
|----|---------|
| d | 20,000 |
| D | 52,000 |
| B | 66,100 |
| B1 | 24,000 |
| B2 | 40,500 |
| F | M20x1.5 |

MANUFACTURER

[McGill](#)

INTERCHANGE

| | |
|-----|----------------------------|
| ABC | CF 20 BUUR |
| IKO | CF 20 BUUR |
| INA | KR 52 PPSK |
| SKF | KR 52 PPSK |
| JNS | CF20UURA |
| NTN | KR52LLH |