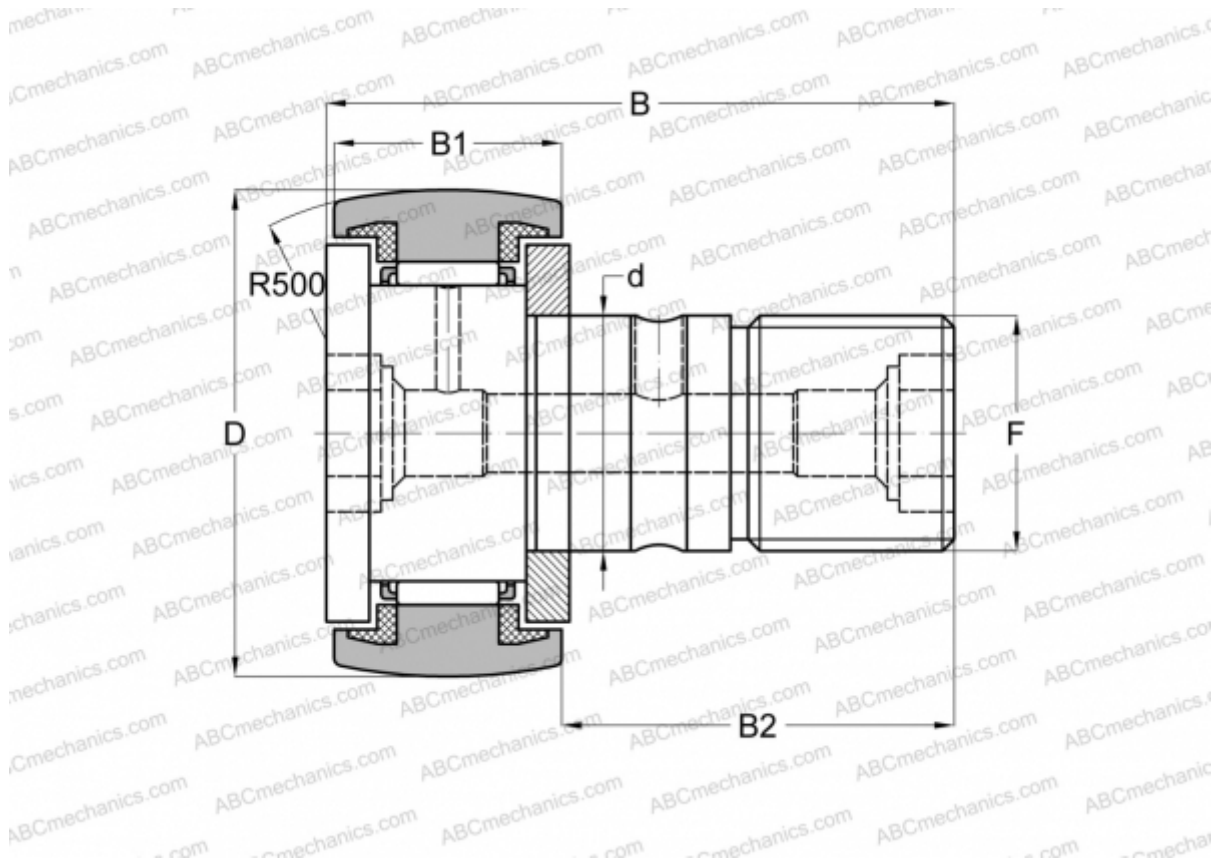


CF20UURA JNS

Cam followers

TYPE: Roller bearings, Stud type track rollers, With axial guidance, sealing rings on both sides, hex socket



Technical specification

DIMENSIONS, MM

d	20,000
D	52,000
B	66,100
B1	24,000
B2	40,500
F	M20x1.5

MANUFACTURER

[JNS](#)

INTERCHANGE

ABC	CF 20 BUUR
IKO	CF 20 BUUR
INA	KR 52 PPSK
SKF	KR 52 PPSK
McGill	MCFR-52-SB
NTN	KR52LLH