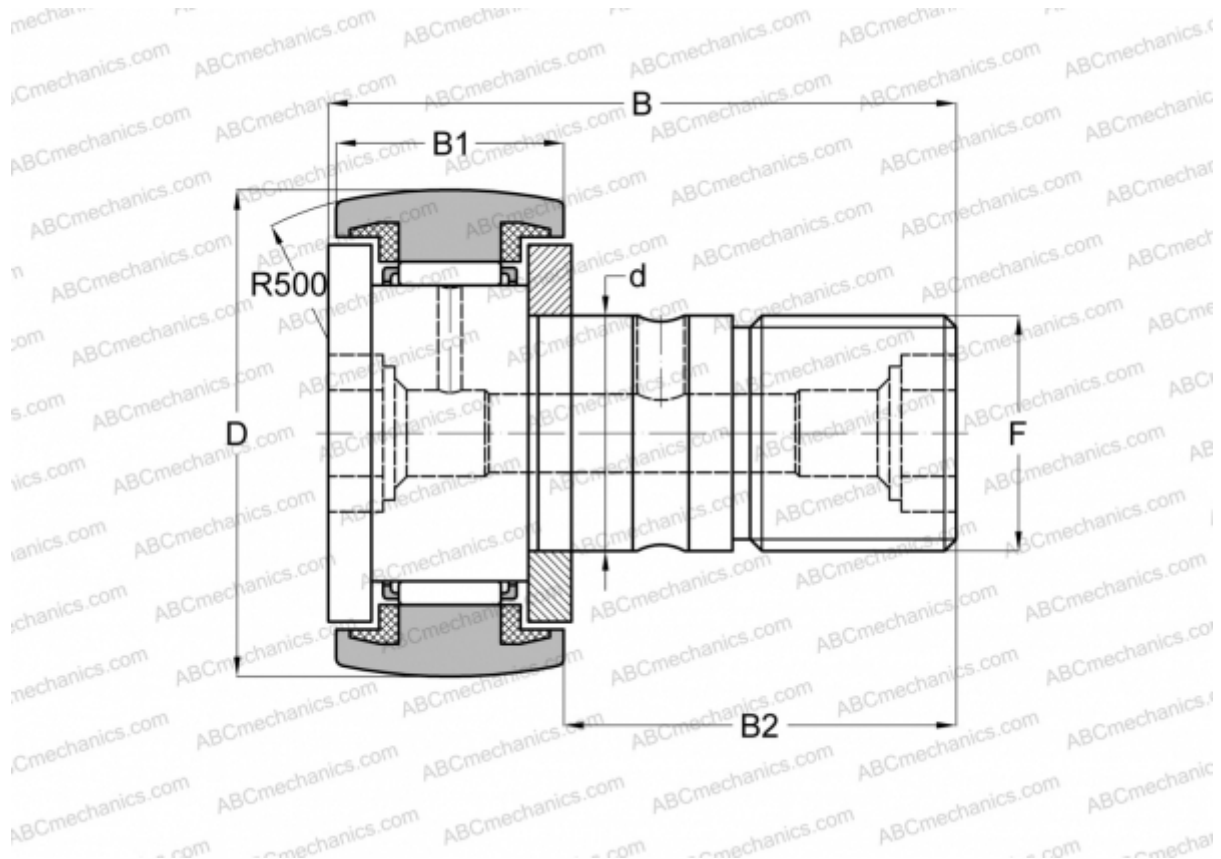


## KR52LLH NTN

Cam followers

TYPE: Roller bearings, Stud type track rollers, With axial guidance, sealing rings on both sides, hex socket



### Technical specification

#### DIMENSIONS, MM

d	20,000
D	52,000
B	66,100
B1	24,000
B2	40,500
F	M20x1.5

#### MANUFACTURER

[NTN](#)

#### INTERCHANGE

ABC	<a href="#">CF 20 BUUR</a>
IKO	<a href="#">CF 20 BUUR</a>
INA	<a href="#">KR 52 PPSK</a>
SKF	<a href="#">KR 52 PPSK</a>
McGill	<a href="#">MCFR-52-SB</a>
JNS	<a href="#">CF20UURA</a>