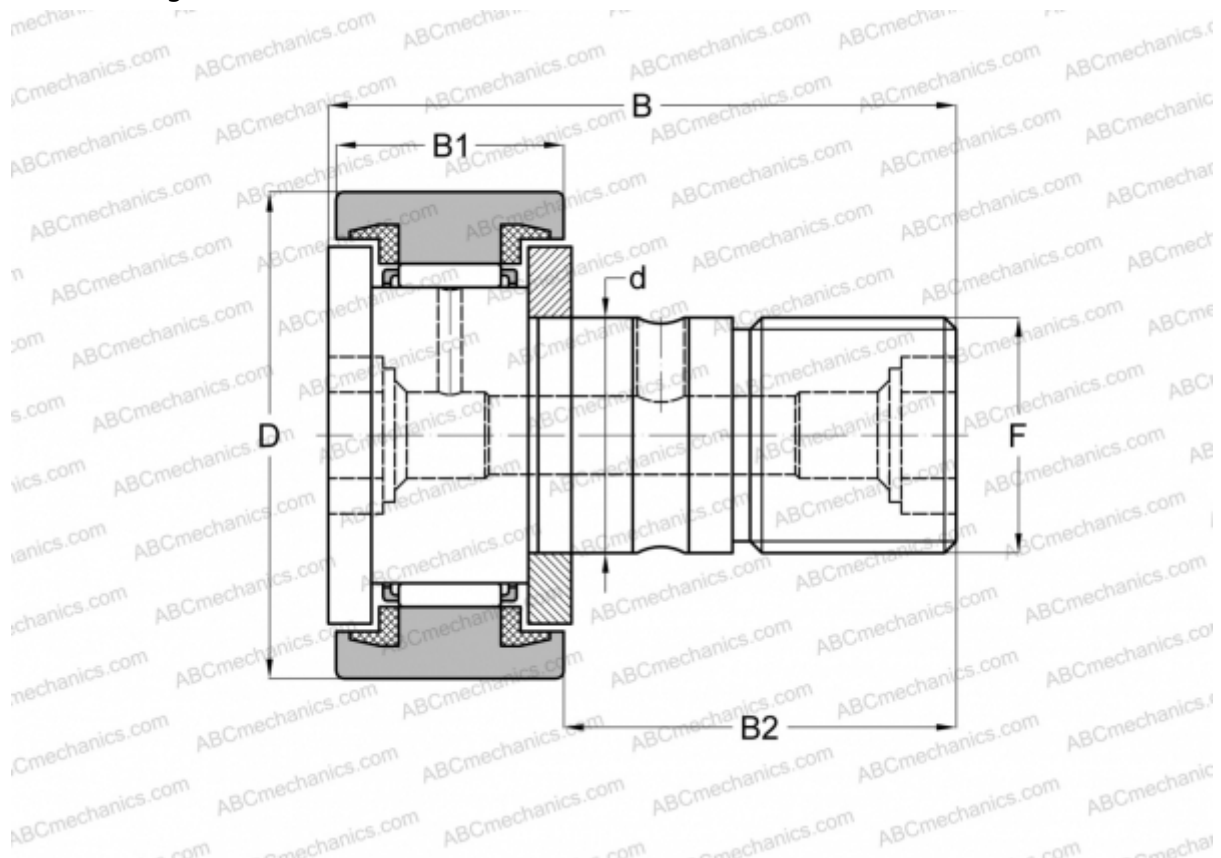


CF5UU JNS

Cam followers

TYPE: Roller bearings, Stud type track rollers, With axial guidance, sealing rings on both sides, cylindrical outer ring



Technical specification

DIMENSIONS, MM

| | |
|----|--------|
| d | 5,000 |
| D | 13,000 |
| B | 23,000 |
| B1 | 9,000 |
| B2 | 13,000 |
| F | M5x0.8 |

MANUFACTURER [JNS](#)

INTERCHANGE

| | |
|--------|----------------------------|
| ABC | CF 5 UU |
| IKO | CF 5 UU |
| McGill | MCFR-13-SX |