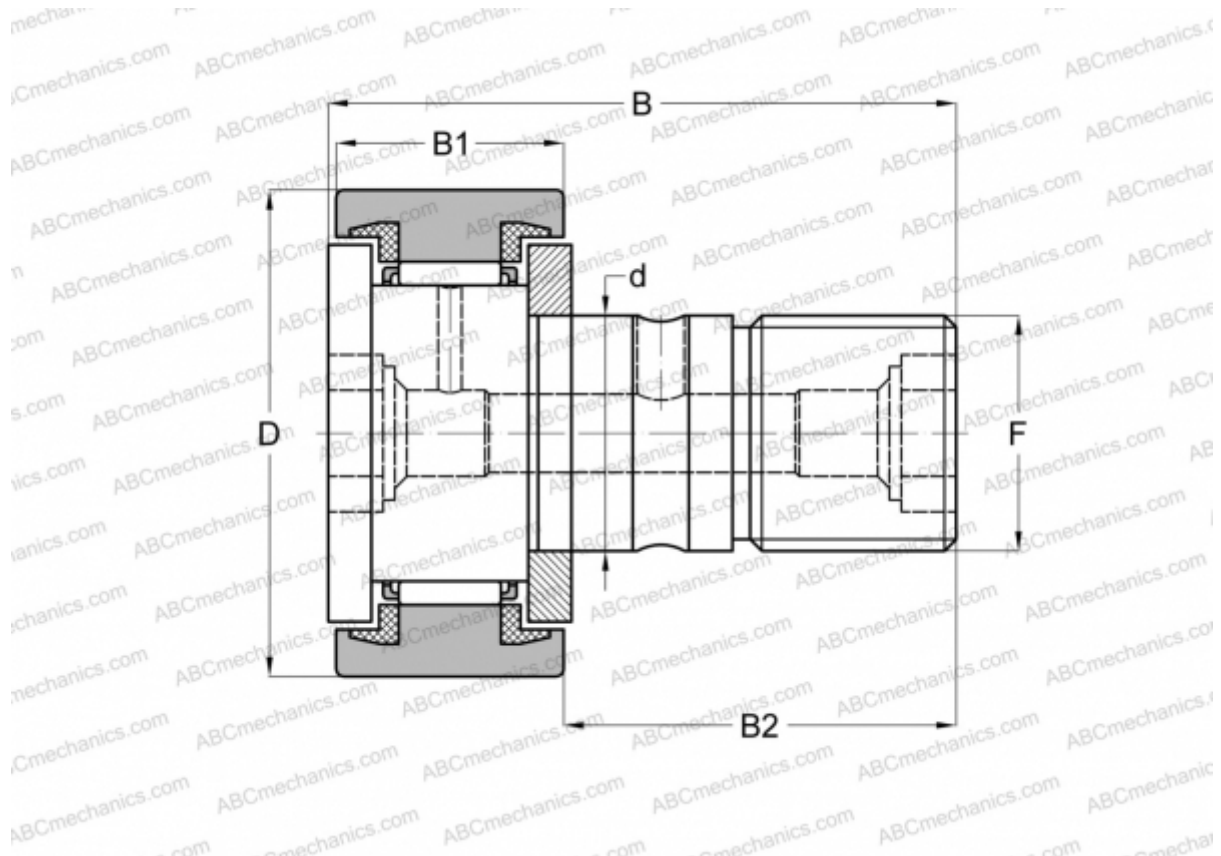


## KR13LLT2XH/3AS NTN

Cam followers

TYPE: Roller bearings, Stud type track rollers, With axial guidance, sealing rings on both sides, cylindrical outer ring, hex socket



### Technical specification

#### DIMENSIONS, MM

d	5,000
D	13,000
B	23,000
B1	9,000
B2	13,000
F	M5x0.8

**MANUFACTURER** [NTN](#)

#### INTERCHANGE

ABC	<a href="#">CF 5 BUU</a>
IKO	<a href="#">CF 5 BUU</a>
McGill	<a href="#">MCFR-13-SB</a>
JNS	<a href="#">CF5UUA</a>