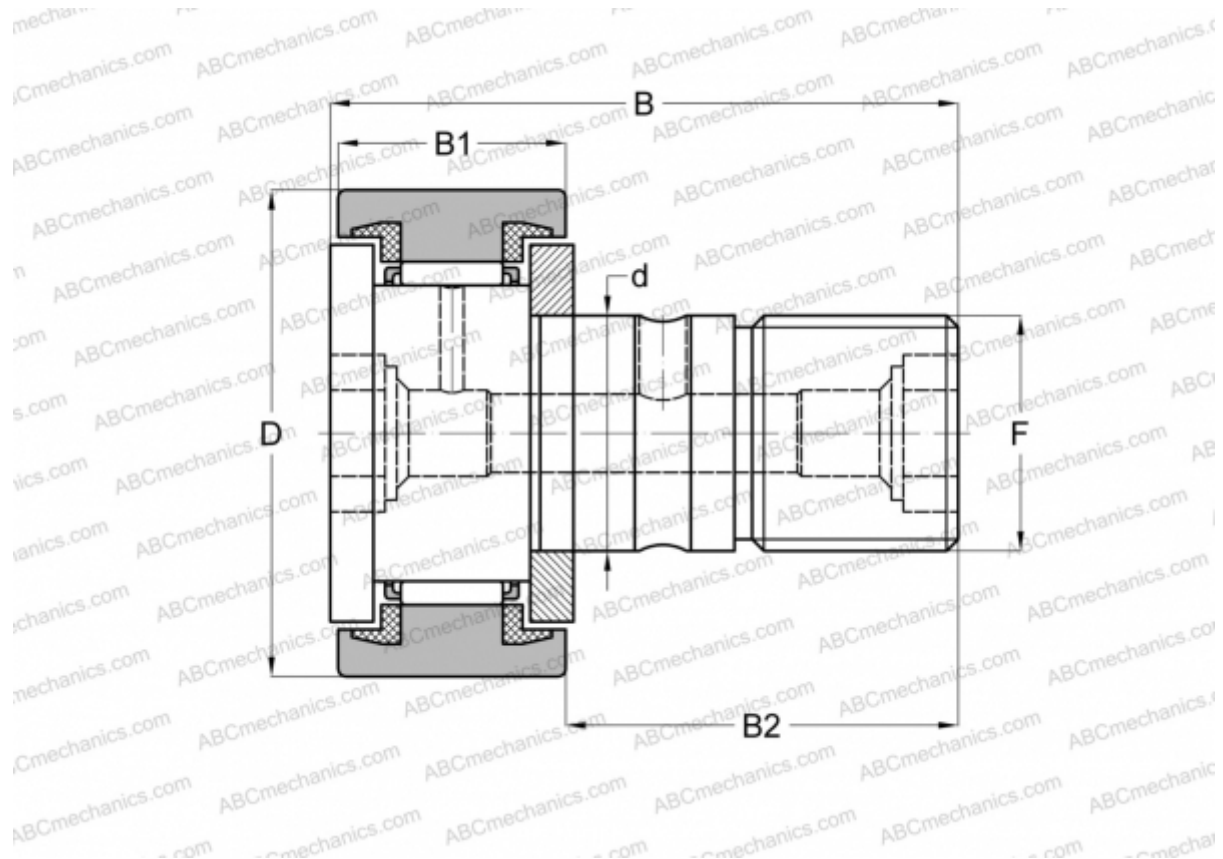


KR 16 PPXSK SKF

Cam followers

TYPE: Roller bearings, Stud type track rollers, With axial guidance, sealing rings on both sides, cylindrical outer ring, hex socket



Technical specification

DIMENSIONS, MM

d	6,000
D	16,000
B	28,200
B1	11,000
B2	16,000
F	M6x1

MANUFACTURER

[SKF](#)

INTERCHANGE

ABC	CF 6 BUU
IKO	CF 6 BUU
INA	KR 16 PPXSK
McGill	MCFR-16-SB
JNS	CF6UUA
NTN	KR16XLLH