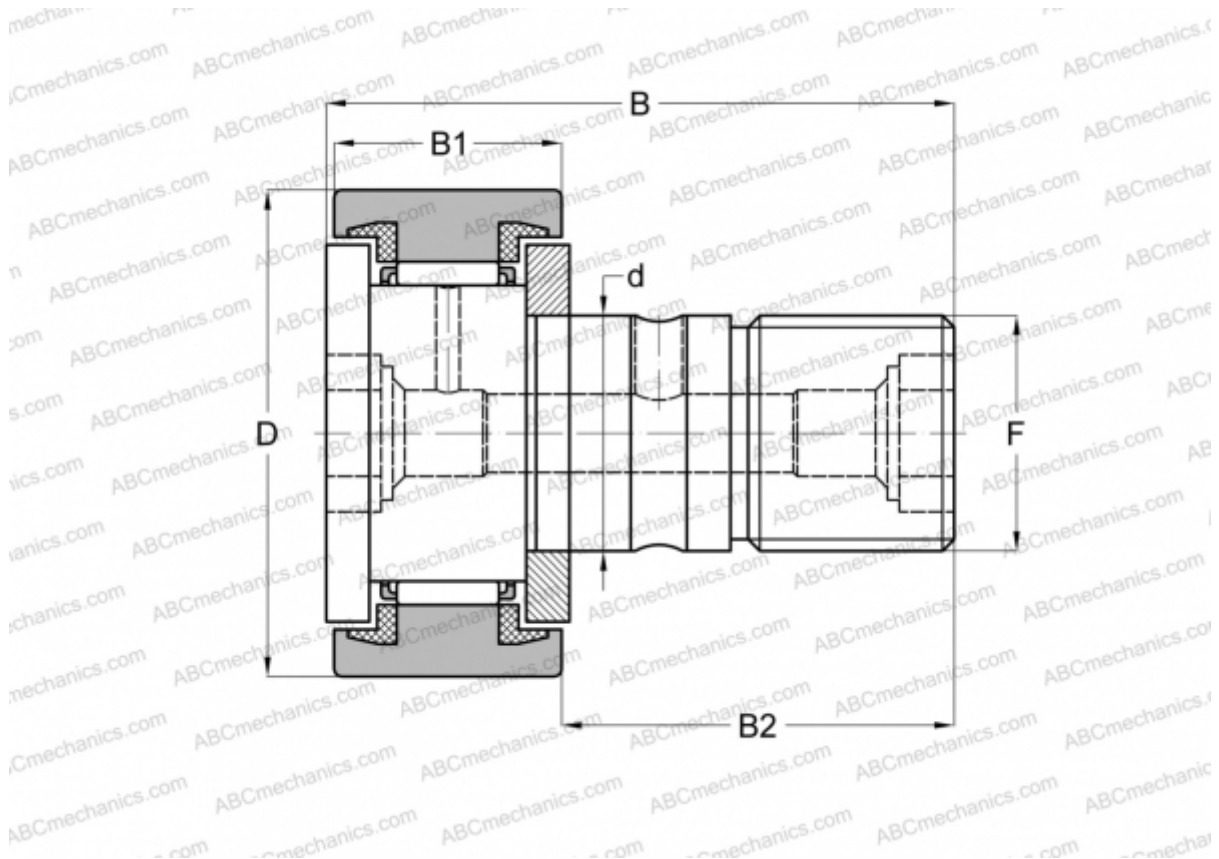


## KR16XLLH NTN

Cam followers

TYPE: Roller bearings, Stud type track rollers, With axial guidance, sealing rings on both sides, cylindrical outer ring, hex socket



### Technical specification

#### DIMENSIONS, MM

d	6,000
D	16,000
B	28,200
B1	11,000
B2	16,000
F	M6x1

**MANUFACTURER** [NTN](#)

#### INTERCHANGE

ABC	<a href="#">CF 6 BUU</a>
IKO	<a href="#">CF 6 BUU</a>
INA	<a href="#">KR 16 PPXSK</a>
SKF	<a href="#">KR 16 PPXSK</a>
McGill	<a href="#">MCFR-16-SB</a>
JNS	<a href="#">CF6UUA</a>