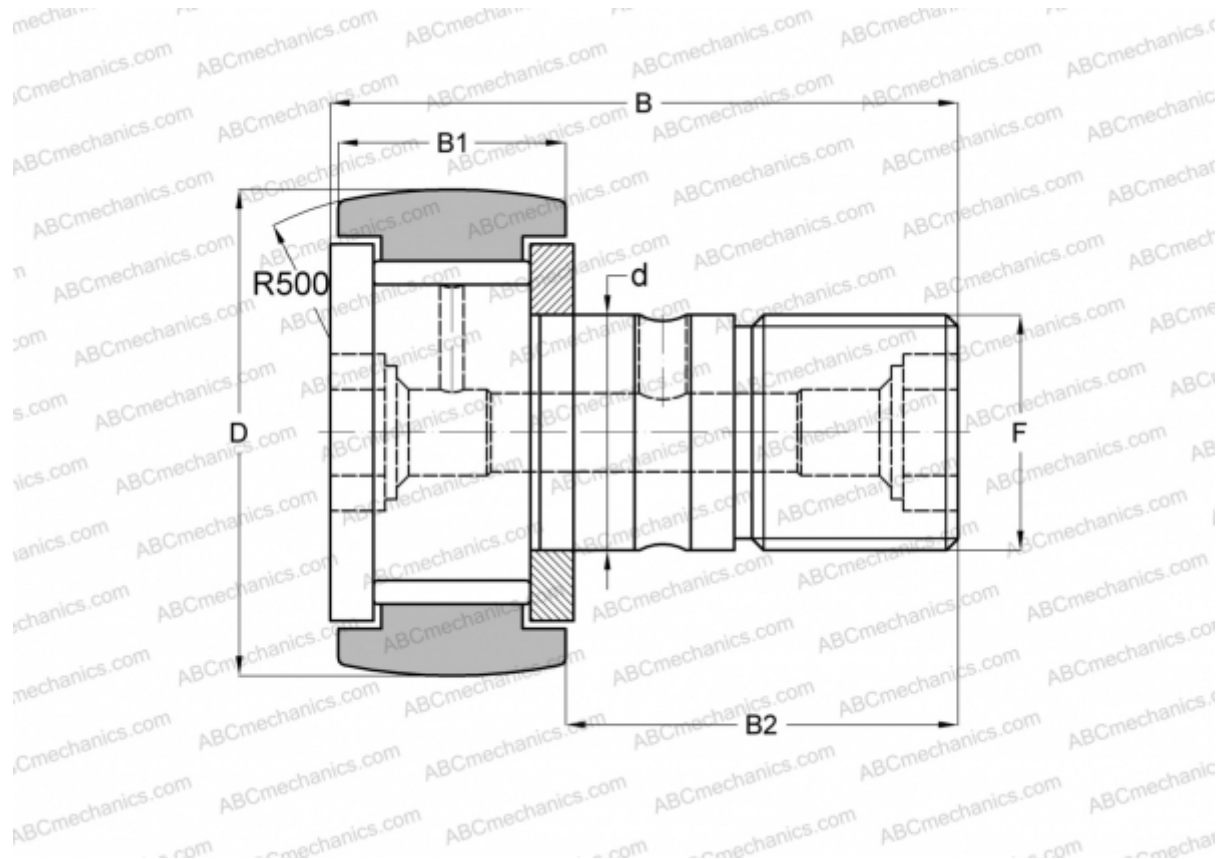


KRV16 NTN

Cam followers

TYPE: Roller bearings, Stud type track rollers, With axial guidance, full complement bearing, gap seal on both side



Technical specification

DIMENSIONS, MM

d	6,000
D	16,000
B	28,000
B1	11,000
B2	16,000
F	M6x1

MANUFACTURER [NTN](#)

INTERCHANGE

ABC	KRV 16
INA	KRV 16
SKF	KRV 16
IKO	CF 6 VR
McGill	MCF-16
KOYO	KRV16 SK

INTERCHANGE

JNS	CF6VR
THK	CF6VR