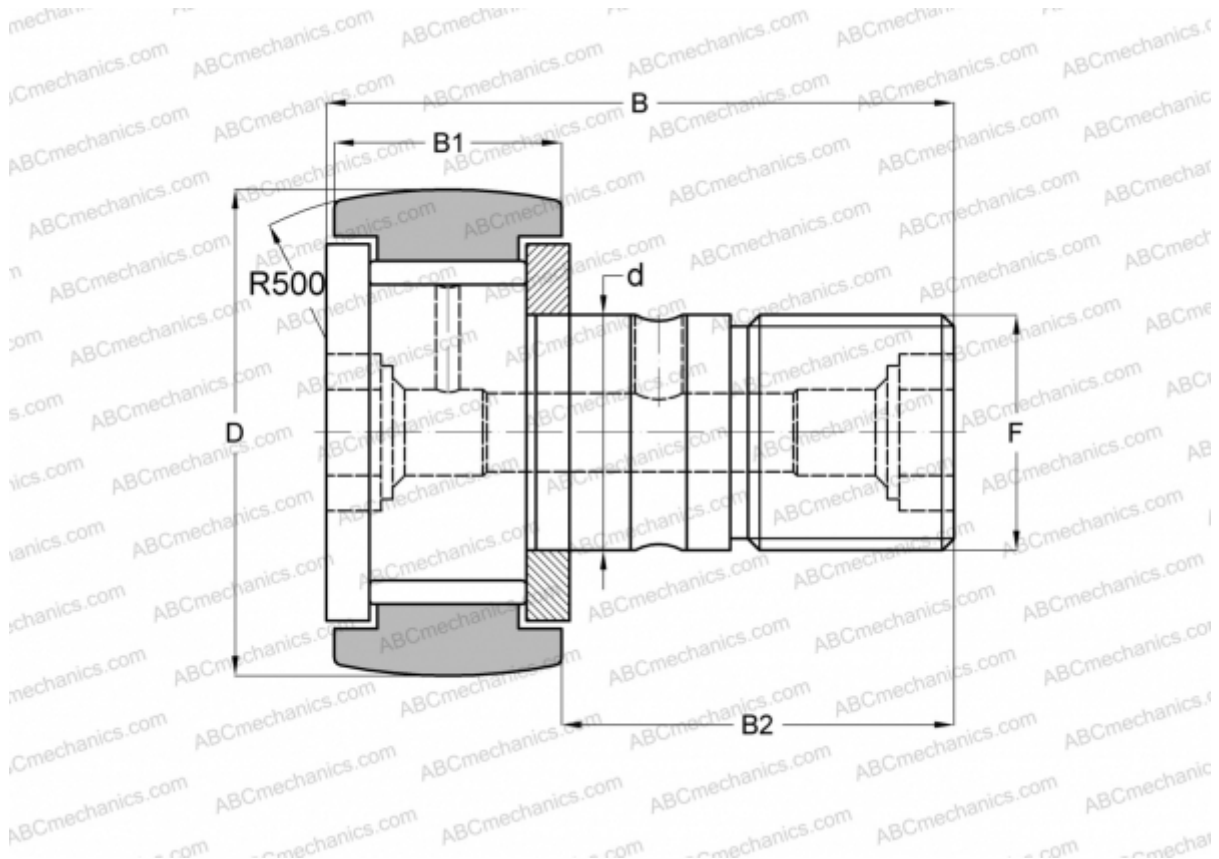


## CF6VR THK

Cam followers

TYPE: Roller bearings, Stud type track rollers, With axial guidance, full complement bearing, gap seal on both side



### Technical specification

#### DIMENSIONS, MM

d	6,000
D	16,000
B	28,000
B1	11,000
B2	16,000
F	M6x1

#### INTERCHANGE

JNS	<a href="#">CF6VR</a>
NTN	<a href="#">KRV16</a>

**MANUFACTURER** [THK](#)

#### INTERCHANGE

ABC	<a href="#">KRV 16</a>
INA	<a href="#">KRV 16</a>
SKF	<a href="#">KRV 16</a>
IKO	<a href="#">CF 6 VR</a>
McGill	<a href="#">MCF-16</a>
KOYO	<a href="#">KRV16 SK</a>